

EBC[®] BRAKES

Issue 403
AMERICAN BUILT MACHINES



**THE WORLD'S LARGEST RANGE OF
PREMIUM REPLACEMENT MOTORCYCLE BRAKES**

Brake pads, rotors, braided stainless brake lines, clutches and much more, with four manufacturing plants in the UK and USA producing over 10 million components each year.

www.ebcbrakes.com

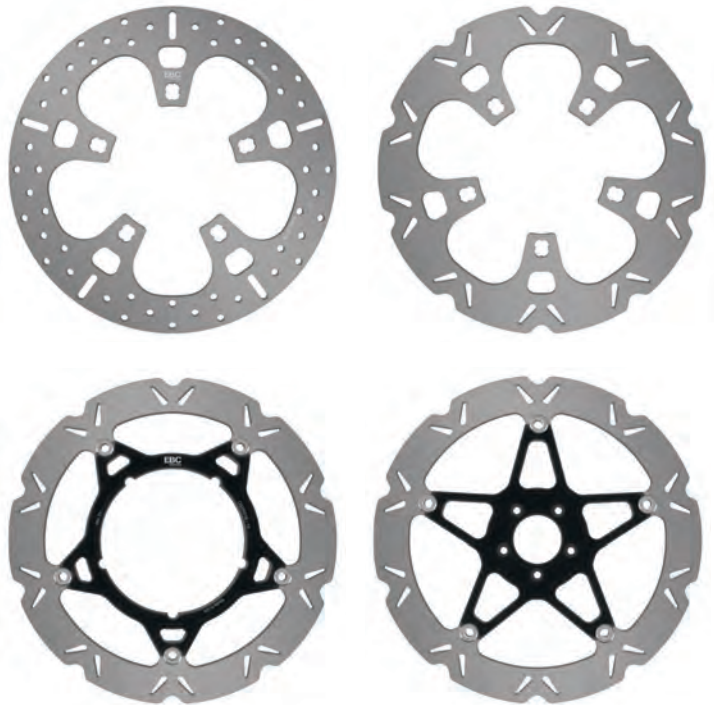
WELCOME TO THE EBC 2023 USA-BUILT MOTORCYCLE CATALOG

The world's largest selection of brakes for USA-built motorcycles including our USA-manufactured, sintered pad ranges and UK-made organic and semi-sintered Vee-pads plus a full range and selection of custom replacement brake rotors.

OVERSIZE ROTORS

A range of 14" and 15" oversize, fully floating front rotors with billet aluminum caliper relocation brackets. Choice of plain or Vee design brake rotor with polished hubs or anodized black hubs. Available for all big twins to improve brake performance and more importantly brake modulation increasing stopping power by 25-30%. EBC 15" rotors for SINGLE front are made with 6mm 1/4" rotor blade.

CALIPER RELOCATION BRACKET



CLUTCH KITS AND SPRINGS

EBC Brakes CK friction plate kits contain a complete engine set of stack height controlled friction plates with a unique alloy impregnated clutch facings to prevent burn up and slippage. EBC Brakes SRC series is an aramid fiber lined friction plate set with heavy duty diaphragm springs where required. SRK series includes a full set of friction plates, steel plates and heavy duty diaphragm clutch springs where required. EBC Brakes offer CSK heavy duty clutch coil or diaphragm clutch springs kits where appropriate. EBC Brakes also offer a comprehensive list of clutch holding tools for removal and loosening of the drive shafts bolts and re-tightening a breeze without damaging your expensive clutch basket.



UK DISTILLED BRAKE FLUIDS

Available in DOT 5 Silicone and DOT 4 or BF307 Race grade Glycol which **CANNOT**..... please notebe mixed. Check your owners manual to see if you system is based on Silicone or Glycol fluid. Some pre 2005 Harley® models did use Silicone.

HOW TO USE THIS CATALOG

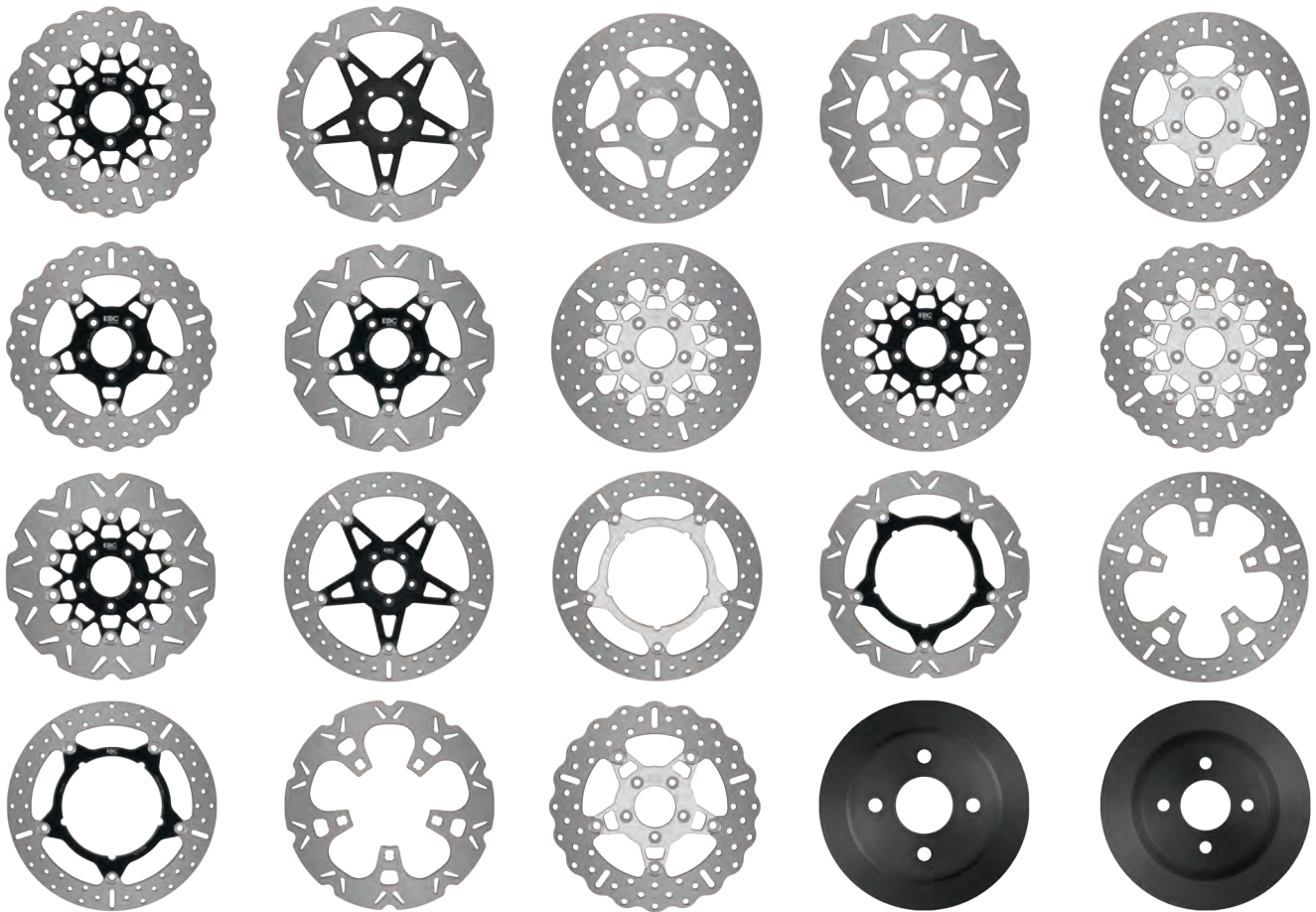
Pads are simple; simply look up the machine and select the pad type that's best for your customer. On rotors there are sometimes too many choices to list in columns so we use a group number in those cases and you simply take the group number, look at the illustrations and select the one you prefer; solid, floating or oversize.

EBC make different compounds for most calipers and as a guide. FA is the premium Organic grade, X pads are a dry conditions off road pad, V pads are our long lasting semi sintered pad for street use. R pads are a long lasting off road compound, HH is our USA made sintered metal highest brake effect pad, EPFA is our premium Sintered pad, also USA made with super quiet braking and highest temperature capabilities.

CONTENTS

Key to Special Symbols	2
Brake Fluids and Jet Kits	3
Stainless Steel Slider Shims	4
Tech Tips	5
Harley-Davidson® Truck	6
Harley-Davidson® Electric	6
Harley-Davidson® Sportster	6
Harley-Davidson® Street	6
Harley-Davidson® Dyna	8
Harley-Davidson® Softail	8
Harley-Davidson® S Series	10
Harley-Davidson® Touring	10
Harley-Davidson® Trike	12
Harley-Davidson® V-Rod	14
Arch	14
ATK	14
Buell	14
Can-Am	16
EBR	16
Indian	18
Motus	20
Polaris Slingshot	20
Victory	20
Zero Electric Bike	22
Pads For Aftermarket Calipers	24
Brake Pad Buyers Guide (inc. dimensions)	25-30
Rotor Designs and Dimensions	31-50
Brake Lines	51-54
Clutch Kits, Springs and Installation Tools	55-63
Polaris Slingshot Parts	64

**NEW FULLY FLOATING
OVERSIZE FRONT ROTORS
 FOR HARLEY-DAVIDSON™ RANGE
 PAGE 32/37/39/43**



**TRIKE ROTORS IN CAST IRON -
 SEE PAGE 49**

KEY TO SPECIAL SYMBOLS

- ★ This rotor is made of billet steel and should only be used with EBC FA Organic or Vee Pads.
- * Two sets of brake pads are required for this fitment.
- ▲ Pads sold in axle sets – 4 pads per set.

BRAKE FLUID

Now tested to meet Florida EPA requirements. Bottle label shows all specifications of the fluid.



A refined specification polyglycol fluid as fitted to most faster street bikes now produced.



Silicone fluid as used in Harley Davidson Motorcycles and many special High Performance Brake systems.



Highly refined DOT 4 Brake fluid, ideal for Racing or High Performance Road bikes. Can be used in all systems specifying DOT 4 but **NOT** with (DOT 5) silicone fluids.

TO ORDER USE THESE PART NUMBERS

SIX PACK		SINGLE BOTTLES	
DOT 4 (Six Pack)	BF004	DOT 4 (Single)	BF004A
DOT 5 (Six Pack) (Silicone)	BF005	DOT 5 (Single) (Silicone)	BF005A
BF 307 (Six Pack)	BF307	BF 307 (Single)	BF307A

CAUTION: Please check carefully the type of brake fluid used in your system. Adding incorrect fluids could cause major brake failure. **DO NOT** ever mix glycol fluids (DOT 4 or BF-307) with DOT 5 silicone.

EBC BRAKES JETS

A-BAX Precision Engineering Ltd brass main jets for Keihin CVH carburettors, used on most big twins. Sold in packets of 2 pieces and in dealer assortment kits of 12 sizes (2 pieces each size).



**DEALER SELECTION KIT
PART NO – HDJK-12**

MAIN JETS



424-27 slotted series part numbers below are for a packet of 2 jets.



SIZES AVAILABLE

EBC424-27-165
EBC424-27-170
EBC424-27-175
EBC424-27-180
EBC424-27-185
EBC424-27-190
EBC424-27-195
EBC424-27-200
EBC424-27-205
EBC424-27-210
EBC424-27-220

PILOT JETS

Pilot Jets for Harley Davidson® (Sold in packs of 4)

Jet Style – N424-25
Pilot / Slow Running Jet
FCR 28 / 32 / 33 / 35 / 37 / 39 / 41mm
Harley® D Keihin BH (Non CV Type)



Size Part

35	EBC424-25-35
38	EBC424-25-38
40	EBC424-25-40
42	EBC424-25-42
45	EBC424-25-45
48	EBC424-25-48
50	EBC424-25-50
52	EBC424-25-52
55	EBC424-25-55
58	EBC424-25-58
60	EBC424-25-60
62	EBC424-25-62
65	EBC424-25-65

STAINLESS STEEL SLIDER SHIMS

Stainless steel slider shims are fitted to most of the Hayes rear calipers on Harley Davidson® to prevent wear of the machined aluminum caliper “vee” slider faces and new parts are provided with EBC pads.

The important things to note are:



After install, the pads must slide freely within the caliper without dragging and here is the basic procedure to install which is to be read and considered along with your vehicle owners' manual content.



If your bike had NO shims at pad change, do not try to fit shims that needs forcing into the caliper or would render the pads tight or locked UNLESS the pads were loose and rattling (indicating that at a previous service the bike owner or service technician may have forgotten to install shims when they were needed).



Clean up the aluminium slider faces carefully removing all corrosion and scale. Use a fine file or a file wrapped in abrasive paper and remember you are only cleaning off corrosion and scale.



Lightly lube the slider with high temp EBC caliper grease or similar, taking care not to contaminate pads with grease or greasy fingers. Grease on pads renders them ineffective.



Install the stainless slider shims.



Clean off any paint or burrs in the ears of the pads with a fine file and slip them onto the slider shims. The pads should be a light push fit with thumbs and if you have to force them you have either left scale or corrosion under the shims, the ears of the pad have paint or burrs in them or your caliper model did NOT need shims. Never force or hammer the pads into the caliper.

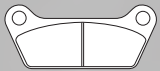


If you have any doubts contact a qualified service technician.



After brake install, raise the bike wheel and rotate the wheel, pumping and releasing the brakes to check for free spinning of the wheel and free releasing of the brakes. Test ride vehicle carefully applying the brakes intermittently for a few miles to evaluate brake drag and brake release. If rotors become blued or hot spotted or seem in anyway to be overheating, see a qualified technician. Do not ride the bike with dragging brakes.

TECH TIPS



MOST EBC PADS are not designed to re-use any original **BACKING SHIMS**. See pad diagrams for guidance on where shims may be refitted without causing problems, but even then, always check caliper mounts easily over the rotor and has a few thousandths of free float, and is not tight or causing drag, rotate wheels and operate brakes a few times with wheel lifted to check for free brake and no drag.



EBC front pads, reference FA94 are supplied with a larger (stronger) retainer screw, this has a different thread to the original parts and this screw should only be used with the EBC product.



Always caution the vehicle user/owner to check pad wear every month visually or after 3000 miles of riding, and replace pads when $\frac{1}{16}$ " of material left on backing plates. Running pads below this level is dangerous.



Many US built motorcycles use **SILICONE BRAKE FLUID**, always check carefully in the owners manual as to which fluid is required, never mix silicone fluids with glycols as this will cause sludging and ineffective brakes.



No EBC pads have ever contained asbestos, but some low cost aftermarket brands you look to replace may have. Therefore, always observe safety procedures when removing old pads and cleaning away dust. Use a wet cloth and dispose of safely after use.



All EBC organic pads now feature the revolutionary **Nucap**[®] (Canada) **NRS**[®] hook system. This guarantees the perfection of bond strength on pads. This allows EBC to use even chromed backing plates as the puck itself is retained by strong Velcro-like fingers that protrude about $\frac{1}{32}$ " into the pad material.



When installing new pads and/or rotors always advise the rider to bed in brakes gently, using progressively stronger braking pressure over the first 300-500 miles, riding the vehicle slowly, and allowing extra braking distance until the brakes feel strong.

FRONT: AMERICAN PRODUCED MOTORCYCLES



SUFFIX OR PREFIX
PAD MATERIALS AND DESCRIPTION

YEAR

		FRONT				FRONT ROTOR OPTIONS
		PADS	PADS	PADS	PADS	DESIGN NO.
		FA	V	HH	EPFA	
		Organic Pads	Semi-Sintered V-Pads™	Double-H™ USA-Made Sintered Pads	Premium Low Noise Street Sintered Pads	See Buyers Guide for rotor style & finish options. Part nos for ordering & sizing.
HARLEY-DAVIDSON® TRUCK						
F-150 Pick Up Truck Special Edition	2000-2004	DP61259				
HARLEY-DAVIDSON® ELECTRIC						
LiveWire	2018-2023			FA630HH*	EPFA630HH*	
HARLEY-DAVIDSON® SPORTSTER						
Sportster	1982-1983	FA71*	FA71V*			
Sportster	1984-1987	FA94	FA94V	FA94HH		002
Sportster	1987-1999	FA94	FA94V	FA94HH		002
Sportster	1979-1981	FA71*	FA71V*			
RH 975 Nightster	2022-2023	FA409		FA409HH		
S RH 1250	2021-2023		FA630V	FA630HH		
XL 1200 C Custom	2014-2021	FA640	FA640V	FA640HH	EPFA640HH	015
XL 1200 C Sportster Custom <i>Enlarge Rotor Available</i>	2000-2003	FA400	FA400V	FA400HH	EPFA400HH	001
XL 1200 C Sportster Custom <i>Enlarge Rotor Available</i>	2004-2010	FA381	FA381V	FA381HH	EPFA381HH*	001
XL 1200 C Sportster Custom <i>Enlarge Rotor Available</i>	2011-2013	FA381	FA381V	FA381HH	EPFA381HH*	001
XL 1200 CX Roadster	2016-2021	FA640*	FA640V*	FA640HH*	EPFA640HH*	015
XL 1200 Iron	2021-2022	FA640	FA640V	FA640HH	EPFA640HH	015
XL 1200 L Sportster Low <i>Enlarge Rotor Available</i>	2007-2011	FA381	FA381V	FA381HH	EPFA381HH	001
XL 1200 L Sportster Low <i>Enlarge Rotor Available</i>	2007-2011	FA381	FA381V	FA381HH	EPFA381HH	001
XL 1200 N Nightster <i>Enlarge Rotor Available</i>	2008-2012	FA381	FA381V	FA381HH	EPFA381HH	001
XL 1200 R Sportster Roadster <i>Enlarge Rotor Available</i>	2004-2008	FA381*	FA381V*	FA381HH*	EPFA381HH*	001
XL 1200 s Sportster Sport <i>Enlarge Rotor Available</i>	2000-2003	FA400*	FA400V*	FA400HH*	EPFA400HH*	001
XL 1200 T Superlow	2014-2021	FA640	FA640V	FA640HH	EPFA640HH	015
XL 1200 V Seventy Two <i>Enlarge Rotor Available</i>	2012-2013	FA381	FA381V	FA381HH	EPFA381HH	001
XL 1200 V Seventy Two	2014-2016	FA640	FA640V	FA640HH	EPFA640HH	015
XL 1200 X Forty Eight <i>Enlarge Rotor Available</i>	2010-2013	FA381	FA381V	FA381HH	EPFA381HH	001
XL 1200 X Forty Eight	2014-2022	FA640	FA640V	FA640HH	EPFA640HH	015
XL 50 Anniversary <i>Enlarge Rotor Available</i>	2007	FA381	FA381V	FA381HH	EPFA381HH	001
XL 53c Sportster Custom <i>Enlarge Rotor Available</i>	2000-2003	FA400	FA400V	FA400HH	EPFA400HH	001
XL 883 C Sportster Custom <i>Enlarge Rotor Available</i>	2004-2010	FA381	FA381V	FA381HH	EPFA381HH	001
XL 883 Iron	2016-2023	FA640	FA640V	FA640HH	EPFA640HH	018
XL 883 L Low <i>Enlarge Rotor Available</i>	2004-2010	FA381	FA381V	FA381HH	EPFA381HH	001
XL 883 L Superlow <i>Enlarge Rotor Available</i>	2011-2013	FA381	FA381V	FA381HH	EPFA381HH	001
XL 883 L Superlow	2014-2020	FA640	FA640V	FA640HH	EPFA640HH	015
XL 883 N Iron <i>Enlarge Rotor Available</i>	2009-2010	FA381	FA381V	FA381HH	EPFA381HH	001
XL 883 N Iron <i>Enlarge Rotor Available</i>	2011-2013	FA381	FA381V	FA381HH	EPFA381HH	001
XL 883 N Iron	2014-2018	FA640	FA640V	FA640HH	EPFA640HH	015
XL 883 R 100th Anniversary Edition <i>Enlarge Rotor Available</i>	2003	FA400*	FA400V*	FA400HH*	EPFA400HH*	001
XL 883 R Roadster <i>Enlarge Rotor Available</i>	2011-2013	FA381*	FA381V*	FA381HH*	EPFA381HH*	001
XL 883 R Roadster	2014-2015	FA640	FA640V	FA640HH	EPFA640HH	015
XL 883 R Sportster R <i>Enlarge Rotor Available</i>	2005-2013	FA381*	FA381V*	FA381HH*	EPFA381HH*	001
XL 883 Sportster Hugger <i>Enlarge Rotor Available</i>	2000-2003	FA400	FA400V	FA400HH	EPFA400HH	001
XL 883 Sportster Standard <i>Enlarge Rotor Available</i>	2004-2008	FA381	FA381V	FA381HH	EPFA381HH	001
XLH 883 <i>Enlarge Rotor Available</i>	2000-2003	FA400	FA400V	FA400HH	EPFA400HH	001
XLH 883 R Sportster Flat Track <i>Enlarge Rotor Available</i>	2000-2003	FA400	FA400V	FA400HH	EPFA400HH	001
XLHI XLCH	1973-1977	FA26				
XR 1200	2008-2010			FA296HH*	EPFA296HH*	012
XR 1200 X	2010-2012			FA296HH*	EPFA296HH*	012
HARLEY-DAVIDSON® STREET						
XG 500 Street	2016-2021	FA209/2	FA209/2V	FA209/2HH	EPFA209/2HH	022
XG 500 Street	2014-2015	FA643	FA643V	FA643HH		
XG 750 Street	2016-2021	FA209/2	FA209/2V	FA209/2HH	EPFA209/2HH	022
XG 750 Street	2014-2015	FA643	FA643V	FA643HH		

Enlarge rotor available - see buyer's guide

Line #
1
2
3
4
5
6
7
8
9
10
11
12
13
14
15
16
17
18
19
20
21
22
23
24
25
26
27
28
29
30
31
32
33
34
35
36
37
38
39
40
41
42
43
44
45
46
47
48
49
50
51
52
53
54
55

* symbol after part# = 2 pieces required i.e. 2 pad sets or 2 rotors (twin rotor models)

Part numbers, prefixes, suffixes, photos and illustrations shown in this catalog are trademarks and/or copyrights of EBC Brakes or the trademark owner A C Freeman Investments Ltd and use without express written permission of the owners is punishable by law.

FRONT: AMERICAN PRODUCED MOTORCYCLES



SUFFIX OR PREFIX
PAD MATERIALS AND DESCRIPTION

YEAR

FRONT					FRONT ROTOR OPTIONS DESIGN NO.	Line #	
PADS	PADS	PADS	PADS				
FA	V	HH	EPFA				
Organic Pads	Semi-Sintered V-Pads™	Double-H™ USA-Made Sintered Pads	Premium Low Noise Street Sintered Pads		See Buyers Guide for rotor style & finish options. Part nos for ordering & sizing.		
HARLEY-DAVIDSON® STREET							
XG 750 Street Rod	2017-2021	FA209/2	FA209/2V	FA209/2HH	EPFA209/2HH	022	1
HARLEY-DAVIDSON® DYNA							
FX, FXE Rivet type	1973-1977	FA26					2
FX, FXE, FXS Late	1978-1983	FA71	FA71V				3
FX, FXE, FXS	1984-1986	FA94	FA94V	FA94HH	EPFA94HH	002	4
FXWG, FXSB	1983	FA71	FA71V				5
FL, FLH Banana caliper	1972-1984	FA24/2	FA24/2V				6
FL, FLH	1981-1984	FA24/2	FA24/2V				7
FXD/L/WG, FXR/S/T/D/LR	1982-1983	FA71	FA71V				8
FXD/L/WG, FXR/S/T/D/R 1984-Early 1987	1984-1987	FA94	FA94V	FA94HH	EPFA94HH	002	9
FXD/L/WG, FXR/S/T/D, FXLR Late 1987-1999	1987-1999	FA94	FA94V	FA94HH	EPFA94HH	002	10
FLD Switchback	2012-2016		FA457V	FA457HH	EPFA457HH	007	11
FXD Super Glide	2000-2003	FA400	FA400V	FA400HH	EPFA400HH	001	12
FXD Super Glide	2008-2010		FA457V	FA457HH	EPFA457HH	007	13
FXDF Fat Bob	2008-2017		FA457V	FA457HH	EPFA457HH	009	14
FXDX Super Glide Sport	2000-2003	FA400	FA400V	FA400HH	EPFA400HH	001	15
FXDL Low Rider	2000-2003	FA400	FA400V	FA400HH	EPFA400HH	001	16
FXDWG Wide Glide <i>Enlarge Rotor Available</i>	2000-2003	FA400	FA400V	FA400HH	EPFA400HH	001	17
FXDWG Wide Glide <i>Enlarge Rotor Available</i>	2008		FA457V	FA457HH	EPFA457HH	009	18
FXDS-CON Dyna Convertible <i>Enlarge Rotor Available</i>	2000-2003	FA400	FA400V	FA400HH	EPFA400HH	001	19
FXDXT Superglide T-Sport <i>Enlarge Rotor Available</i>	2001-2003	FA400	FA400V	FA400HH	EPFA400HH	001	20
FXDi Super Glide 1450 <i>Enlarge Rotor Available</i>	2004-2005	FA400	FA400V	FA400HH		001	21
FXDi 35 35th Anniversary Super Glide <i>Enlarge Rotor Available</i>	2006	FA400	FA400V	FA400HH		009	22
FXDXi Super Glide Sport <i>Enlarge Rotor Available</i>	2004-2005	FA400	FA400V	FA400HH	EPFA400HH	001	23
FXDLi Low Rider 1450 <i>Enlarge Rotor Available</i>	2004-2005	FA400	FA400V	FA400HH		001	24
FXDLi Low Rider <i>Enlarge Rotor Available</i>	2006	FA400	FA400V	FA400HH		009	25
FXDWGi Wide Glide 1450 <i>Enlarge Rotor Available</i>	2004-2005	FA400	FA400V	FA400HH		001	26
FXDWGi Dyna Wide Glide <i>Enlarge Rotor Available</i>	2006-2007	FA400	FA400V	FA400HH		009	27
FXDWG Dyna Wide Glide <i>Enlarge Rotor Available</i>	2008-2020		FA457V	FA457HH		009	28
FXDCi Dyna Superglide Custom <i>Enlarge Rotor Available</i>	2005-2007	FA400	FA400V	FA400HH	EPFA400HH	001	29
FXDC Super Glide Custom <i>Enlarge Rotor Available</i>	2008-2014		FA457V	FA457HH	EPFA457HH	009	30
FXDBi Street Bob <i>Enlarge Rotor Available</i>	2006-2007	FA400	FA400V	FA400HH	EPFA400HH	009	31
FXDB Street Bob <i>Enlarge Rotor Available</i>	2008-2020		FA400V	FA400HH	EPFA400HH	001	32
FXDBC Street Bob LTD	2016		FA457V	FA457HH	EPFA457HH	009	33
FXDB Street Bob 114 <i>Enlarge Rotor Available</i>	2021-2022		FA457V	FA457HH	EPFA457HH	009	34
FXDi Super Glide	2006-2007	FA400	FA400V	FA400HH	EPFA400HH	007	35
FXDLi Low Rider <i>Enlarge Rotor Available</i>	2006-2007	FA400	FA400V	FA400HH	EPFA400HH	007	36
FXDLi Low Rider <i>Enlarge Rotor Available</i>	2006-2007	FA400	FA400V	FA400HH	EPFA400HH	009	37
FXDL Low Rider <i>Enlarge Rotor Available</i>	2008-2013		FA457V	FA457HH	EPFA457HH	007	38
FXDL Low Rider <i>Enlarge Rotor Available</i>	2008-2009		FA457V	FA457HH	EPFA457HH	009	39
FXDL Low Rider <i>Enlarge Rotor Available</i>	2014-2017		FA457V	FA457HH	EPFA457HH	007	40
FXDL Low Rider <i>Enlarge Rotor Available</i>	2014-2017		FA457V	FA457HH	EPFA457HH	009	41
FXDCi Superglide Custom	2006	FA400	FA400V	FA400HH	EPFA400HH	007	42
HARLEY-DAVIDSON® SOFTAIL							
FLDE Deluxe	2018-2020			FA296HH	EPFA296HH	015	43
FLFBS Fat Boy 114 Inc Anniversary model	2018-2023			FA296HH	EPFA296HH	018	44
FLHC Heritage Classic 107	2018-2023			FA296HH	EPFA296HH	015	45
FLHCS Heritage Classic 114	2018-2023			FA296HH	EPFA296HH	015	46
FLHCS Heritage Classic 114 Anniversary	2018-2020			FA296HH	EPFA296HH	015	47
FLS Softail Slim <i>Enlarge Rotor Available</i>	2012-2014		FA457V	FA457HH	EPFA457HH	001	48
FLS Softail Slim	2015-2017			FA296HH	EPFA296HH	015	49
FLSL Softail Slim	2018-2023			FA296HH	EPFA296HH	015	50
FLSTC Heritage Softail Classic <i>Enlarge Rotor Available</i>	2007	FA400	FA400V	FA400HH	EPFA400HH	001	51

* symbol after part# = 2 pieces required i.e. 2 pad sets or 2 rotors (twin rotor models)

Part numbers, prefixes, suffixes, photos and illustrations shown in this catalog are trademarks and/or copyrights of EBC Brakes or the trademark owner A C Freeman Investments Ltd and use without express written permission of the owners is punishable by law.

Enlarge rotor available - see buyer's guide

REAR: AMERICAN PRODUCED MOTORCYCLES



Line #

HARLEY-DAVIDSON® STREET

1 XG 750 Street Rod 2017-2021

HARLEY-DAVIDSON® DYNA

SUFFIX OR PREFIX	PAD MATERIALS AND DESCRIPTION	YEAR	FA	V	HH	EPFA	REAR ROTOR OPTIONS
			Organic Pads	Semi-Sintered V-Pads™	Double-H™ USA-Made Sintered Pads	Premium Low Noise Street Sintered Pads	DESIGN NO.
4	FX, FXE Rivet type	1973-1977	FA24/2	FA24/2V			
5	FX, FXE, FXS Late 1978-1983	1978-1983	FA24/2	FA24/2V			
6	FX, FXE, FXS	1984-1986	FA78	FA78V	FA78HH		
7	FXWG, FXSB	1983	FA78	FA78V	FA78HH		
8	FL, FLH Banana caliper	1972-1984	FA24/2	FA24/2V			
9	FL, FLH	1981-1984	FA79	FA79V			
10	FXD/L/WG, FXR/S/T/D/LR	1982-1983	FA78	FA78V	FA78HH		
11	FXD/L/WG, FXR/S/T/D/R 1984-Early 1987	1984-1987	FA78	FA78V	FA78HH		
12	FXD/L/WG, FXR/S/T/D, FXLR Late 1987-1999	1987-1999	FA78	FA78V	FA78HH		
13	FLD Switchback	2012-2016		FA458V	FA458HH	EPFA458HH	003
14	FXD Super Glide	2000-2003	FA400	FA400V	FA400HH	EPFA400HH	003
15	FXD Super Glide	2008-2010	FA78	FA78V	FA78HH		
16	FXDF Fat Bob	2008-2017	FA78	FA78V	FA78HH		
17	FXDX Super Glide Sport	200-2003	FA400	FA400V	FA400HH	EPFA400HH	003
18	FXDL Low Rider	2000-2003	FA400	FA400V	FA400HH	EPFA400HH	003
19	FXDWG Wide Glide	2000-2003	FA400	FA400V	FA400HH	EPFA400HH	003
20	FXDWG Wide Glide	2008	FA400	FA400V	FA400HH	EPFA400HH	003
21	FXDS-CON Dyna Convertible	2000-2003	FA400	FA400V	FA400HH	EPFA400HH	003
22	FXDXT Superglide T-Sport	2001-2003	FA400	FA400V	FA400HH	EPFA400HH	003
23	FXDi Super Glide 1450	2004-2005	FA400	FA400V	FA400HH	EPFA400HH	003
24	FXDi 35 35th Anniversary Super Glide	2006	FA400	FA400V	FA400HH	EPFA400HH	003
25	FXDXi Super Glide Sport	2004-2005	FA400	FA400V	FA400HH	EPFA400HH	003
26	FXDLi Low Rider 1450	2004-2005	FA400	FA400V	FA400HH	EPFA400HH	003
27	FXDLi Low Rider	2006	FA400	FA400V	FA400HH	EPFA400HH	003
28	FXDWGi Wide Glide 1450	2004-2005	FA400	FA400V	FA400HH	EPFA400HH	003
29	FXDWGi Dyna Wide Glide	2006-2007	FA400	FA400V	FA400HH	EPFA400HH	003
30	FXDWG Dyna Wide Glide	2008-2020		FA458V	FA458HH	EPFA458HH	003
31	FXDCi Dyna Superglide Custom	2005-2007	FA400	FA458V	FA458HH	EPFA400HH	003
32	FXDC Super Glide Custom	2008-2014		FA458V	FA458HH	EPFA458HH	003
33	FXDBi Street Bob	2006-2007		FA458V	FA458HH	EPFA458HH	003
34	FXDB Street Bob	2008-2020	FA400	FA400V	FA400HH	EPFA400HH	003
35	FXDBC Street Bob LTD	2016		FA458V	FA458HH	EPFA458HH	003
36	FXDB Street Bob 114	2021-2022		FA458V	FA458HH	EPFA458HH	003
37	FXDi Super Glide	2006-2007	FA400	FA400V	FA400HH	EPFA400HH	003
38	FXDLi Low Rider	2006-2007	FA400	FA400V	FA400HH	EPFA400HH	003
39	FXDLi Low Rider	2006-2007	FA400	FA400V	FA400HH	EPFA400HH	003
40	FXDL Low Rider	2008-2013		FA458V	FA458HH	EPFA458HH	003
41	FXDL Low Rider	2008-2009		FA458V	FA458HH	EPFA458HH	003
42	FXDL Low Rider	2014-2017		FA458V	FA458HH	EPFA458HH	003
43	FXDL Low Rider	2014-2017		FA458V	FA458HH	EPFA458HH	003
44	FXDCi Superglide Custom	2006	FA400	FA400V	FA400HH	EPFA400HH	003

HARLEY-DAVIDSON® SOFTAIL

47	FLDE Deluxe	2018-2020		FA710V	FA710HH	EPFA710HH	016
48	FLFBS Fat Boy 114 Inc Anniversary model	2018-2023		FA710V	FA710HH	EPFA710HH	016
49	FLHC Heritage Classic 107	2018-2023		FA710V	FA710HH	EPFA710HH	003
50	FLHCS Heritage Classic 114	2018-2023		FA710V	FA710HH	EPFA710HH	003
51	FLHCS Heritage Classic 114 Anniversary	2018-2020		FA710V	FA710HH	EPFA710HH	003
52	FLS Softail Slim	2012-2014		FA458V	FA458HH	EPFA458HH	003
53	FLS Softail Slim	2015-2017		FA458V	FA458HH	EPFA458HH	003
54	FLSL Softail Slim	2018-2023		FA710V	FA710HH	EPFA710HH	003
55	FLSTC Heritage Softail Classic	2007	FA400	FA400V	FA400HH	EPFA400HH	003

* symbol after part# = 2 pieces required i.e. 2 pad sets or 2 rotors (twin rotor models)

Part numbers, prefixes, suffixes, photos and illustrations shown in this catalog are trademarks and/or copyrights of EBC Brakes or the trademark owner A C Freeman Investments Ltd and use without express written permission of the owners is punishable by law.

All names & numbers are for reference purposes only. © Registered trademarks of Harley—Davidson® Motor Corp or Buell.

NOTE: — Some models may have a second rotor fitted as an optional extra. Please double check with your customer exactly which side the front rotor is fitted and if twin rotor or single.

FRONT: AMERICAN PRODUCED MOTORCYCLES



SUFFIX OR PREFIX
PAD MATERIALS AND DESCRIPTION

YEAR	FRONT				FRONT ROTOR OPTIONS	Line #	
	PADS	PADS	PADS	PADS	DESIGN NO.		
	FA	V	HH	EPFA			
	Organic Pads	Semi-Sintered V-Pads™	Double-H™ USA-Made Sintered Pads	Premium Low Noise Street Sintered Pads	See Buyers Guide for rotor style & finish options. Part nos for ordering & sizing.		
FLSTC Heritage Softail Classic Enlarge Rotor Available	2008-2014		FA457V	FA457HH	EPFA457HH	001	1
FLSTC Heritage Softail Classic	2015-2017			FA296HH	EPFA296HH	015	2
FLSTCI FLSTC Heritage Classic Enlarge Rotor Available	2000-2007	FA400	FA400V	FA400HH	EPFA400HH	001	3
FLSTF Fat Boy Enlarge Rotor Available	2008-2014		FA457V	FA457HH	EPFA457HH	001	4
FLSTF Fat Boy	2015-2017			FA296HH	EPFA296HH	018	5
FLSTF Fat Boy Enlarge Rotor Available	2000-2006	FA400	FA400V	FA400HH	EPFA400HH	001	6
FLSTi Fat Boy Enlarge Rotor Available	2007	FA400	FA400V	FA400HH	EPFA400HH	001	7
FLSTFB Fat Boy LO Enlarge Rotor Available	2010-2014		FA457V	FA457HH	EPFA457HH	001	8
FLSTFB Fat Boy LO	2015-2017			FA296HH	EPFA296HH	018	9
FLSTN Softail Deluxe Enlarge Rotor Available	2008-2014		FA457V	FA457HH	EPFA457HH	001	10
FLSTN Softail Deluxe	2015-2017			FA296HH	EPFA296HH	015	11
FLSTN Softail Deluxe Enlarge Rotor Available	2005-2007	FA400	FA400V	FA400HH	EPFA400HH	001	12
FLSTS Heritage Springer Enlarge Rotor Available	2000-2003	FA94	FA94V	FA94HH	EPFA94HH	001	13
FLSTSB Softail Cross Bones Enlarge Rotor Available	2008-2011	FA94	FA94V	FA94HH	EPFA94HH	001	14
FLSTS Springer Classic Enlarge Rotor Available	2005-2007	FA94	FA94V	FA94HH	EPFA94HH	001	15
FLSTS Springer Softail Classic Enlarge Rotor Available	2006-2007	FA94	FA94V	FA94HH	EPFA94HH	001	16
FXBBS Street Bob Inc New 114 Model	2018-2023			FA296HH	EPFA296HH	015	17
FXBR Breakout	2018-2020			FA296HH	EPFA296HH	018	18
FXBRS Breakout 114	2018-2023			FA296HH	EPFA296HH	018	19
FXBRS Breakout 114 Anniversary	2018-2020			FA296HH	EPFA296HH	018	20
FXBS Fat Bob	2018-2021			FA296HH*	EPFA296HH*	018	21
FXCW Rocker Enlarge Rotor Available	2008-2009		FA457V	FA457HH	EPFA457HH	001	22
FXCWC Rocker C Enlarge Rotor Available	2008-2011		FA457V	FA457HH	EPFA457HH	001	23
FXDR 114	2018-2021			FA296HH*	EPFA296HH*	018	24
FXFB Fat Bob 114	2018-2023			FA296HH*	EPFA296HH*	018	25
FXLRS Low Rider S	2018-2023			FA296HH*	EPFA296HH*	015	26
FXLRS Low Rider ST	2022-2023			FA296HH*	EPFA296HH*	015	27
FXLRT Low Rider EL Diablo	2022-2023			FA296HH*	EPFA296HH*		28
FXS Blackline Enlarge Rotor Available	2011-2013		FA457V	FA457HH	EPFA457HH	001	29
FXSB Breakout Enlarge Rotor Available	2013-2014		FA457V	FA457HH	EPFA457HH	001	30
FXSB Breakout	2015-2017			FA296HH	EPFA296HH	018	31
FXST Softail Standard Enlarge Rotor Available	2008-2014		FA457V	FA457HH	EPFA457HH	001	32
FXST Softail Standard Enlarge Rotor Available	2015		FA457V	FA457HH	EPFA457HH	001	33
FXST Softail Standard	2019-2023			FA296HH	EPFA296HH	015	34
FXST FLST	1984-1987	FA94	FA94V	FA94HH	EPFA94HH	002	35
FXST FLST	1987-1999	FA94	FA94V	FA94HH	EPFA94HH	002	36
FXST Softail Standard Enlarge Rotor Available	2000-2005	FA400	FA400V	FA400HH	EPFA400HH	001	37
FXST Softail Standard Enlarge Rotor Available	2006-2007	FA400	FA400V	FA400HH	EPFA400HH	001	38
FXSTB Night Train Enlarge Rotor Available	2008-2009		FA457V	FA457HH	EPFA457HH	001	39
FXSTB Night Train Enlarge Rotor Available	2000-2005	FA400	FA400V	FA400HH	EPFA400HH	001	40
FXSTB Night Train Softail Enlarge Rotor Available	2006-2007	FA400	FA400V	FA400HH	EPFA400HH	001	41
FXSTC Softail Custom Enlarge Rotor Available	2007	FA400	FA400V	FA400HH	EPFA400HH	001	42
FXSTC Softail Custom Enlarge Rotor Available	2008-2010		FA457V	FA457HH	EPFA457HH	001	43
FXSTD Softail Deuce Enlarge Rotor Available	2000-2007	FA400	FA400V	FA400HH	EPFA400HH	001	44
FXSTS Softail Springer	2000-2005	FA94	FA94V	FA94HH	EPFA94HH	002	45
HARLEY-DAVIDSON® S SERIES							46
FLSB Sport Glide 1745	2018-2023			FA296HH	EPFA296HH	15	48
FLSS Softail Slim S	2016-2020			FA296HH	EPFA296HH		49
FLSTFBS Fat Boy S	2016-2018			FA296HH	EPFA296HH		50
FXDLS Dyna Low Rider S	2017		FA457V*	FA457HH*	EPFA457HH*	007	51
HARLEY-DAVIDSON® TOURING							52
FLHR Road King	2008-2016	FA409*	FA409V*	FA409HH*	EPFA409HH*	010	54
FLHR Road King Enlarge Rotor Available	2015-2023	FA409*	FA409V*	FA409HH*	EPFA409HH*	017	55

* symbol after part# = 2 pieces required i.e. 2 pad sets or 2 rotors (twin rotor models)

Part numbers, prefixes, suffixes, photos and illustrations shown in this catalog are trademarks and/or copyrights of EBC Brakes or the trademark owner A C Freeman Investments Ltd and use without express written permission of the owners is punishable by law.

Enlarge rotor available - see buyer's guide

FRONT: AMERICAN PRODUCED MOTORCYCLES



SUFFIX OR PREFIX
PAD MATERIALS AND DESCRIPTION

YEAR

FRONT					FRONT ROTOR OPTIONS	Line #	
PADS	PADS	PADS	PADS	DESIGN NO.			
FA	V	HH	EPFA	DESIGN NO.			
Organic Pads	Semi-Sintered V-Pads™	Double-H™ USA-Made Sintered Pads	Premium Low Noise Street Sintered Pads	DESIGN NO.	See Buyers Guide for rotor style & finish options. Part nos for ordering & sizing.		
HARLEY-DAVIDSON® TOURING							
FLHR Road King Special	2021-2023	FA409*	FA409V*	FA409HH*	EPFA409HH*	017	1
FLHRI FLHRCI Road King® Road King Classic®	1994-1999	FA94*	FA94V*	FA94HH*	EPFA94HH*	002	2
FLHRC Road King Classic	2008-2020	FA409*	FA409V*	FA409HH*	EPFA409HH*	010	3
FLHRCi Road King Classic <i>Enlarge Rotor Available</i>	2000-2007	FA400*	FA400V*	FA400HH*	EPFA400HH*	001	4
FLHR Road King <i>Enlarge Rotor Available</i>	2000-2007	FA400*	FA400V*	FA400HH*	EPFA400HH*	001	5
FLHRS Road King Custom <i>Enlarge Rotor Available</i>	2004-2007	FA400*	FA400V*	FA400HH*	EPFA400HH*	001	6
FLHT Electra Glide Standard	2008-2010	FA409*	FA409V*	FA409HH*	EPFA409HH*	010	7
FLHT Electra Glide Standard	2021-2022	FA409*	FA409V*	FA409HH*	EPFA409HH*	010	8
FLHT Electra Glide Standard <i>Enlarge Rotor Available</i>	2000-2007	FA400*	FA400V*	FA400HH*	EPFA400HH*	001	9
FLHTC Electra Glide Classic	2008-2012	FA409*	FA409V*	FA409HH*	EPFA409HH*	010	10
FLHTC Electra Glide Classic <i>Enlarge Rotor Available</i>	2004-2007	FA400*	FA400V*	FA400HH*	EPFA400HH*	001	11
FLHTCU Ultra Classic Electra Glide	2008-2013	FA409*	FA409V*	FA409HH*	EPFA409HH*	010	12
FLHTCU Ultra Classic Electra Glide <i>Enlarge Rotor Available</i>	2014-2020	FA409*	FA409V*	FA409HH*	EPFA409HH*	017	13
FLHTCU-I Electra Glide Ultra Classic <i>Enlarge Rotor Available</i>	2000-2007	FA400*	FA400V*	FA400HH*	EPFA400HH*	001	14
FLHTCUL Ultra Classic Electra Glide Low <i>Enlarge Rotor Available</i>	2015-2016	FA409*	FA409V*	FA409HH*	EPFA409HH*	017	15
FLHTK Electra Glide Ultra LTD	2010-2013	FA409*	FA409V*	FA409HH*	EPFA409HH*	010	16
FLHTK Electra Glide Ultra LTD <i>Enlarge Rotor Available</i>	2015-2021	FA409*	FA409V*	FA409HH*	EPFA409HH*	017	17
FLHTKL Electra Glide Ultra LTD Low <i>Enlarge Rotor Available</i>	2015-2020	FA409*	FA409V*	FA409HH*	EPFA409HH*	017	18
FLHTKSE CVO Limited	2021-2023	FA409*	FA409V*	FA409HH*	EPFA409HH*	017	19
FLHX Street Glide	2008-2013	FA409*	FA409V*	FA409HH*	EPFA409HH*	010	20
FLHX Street Glide <i>Enlarge Rotor Available</i>	2014-2023	FA409*	FA409V*	FA409HH*	EPFA409HH*	017	21
FLHX Street Glide ST	2022-2023	FA409*	FA409V*	FA409HH*	EPFA409HH*	017	22
FLHX Street Glide	2006-2007	FA400*	FA400V*	FA400HH*	EPFA400HH*		23
FLHXS Street Glide Special <i>Enlarge Rotor Available</i>	2015-2023	FA409*	FA409V*	FA409HH*	EPFA409HH*	017	24
FLHXSE CVO Street Glide <i>Enlarge Rotor Available</i>	2015-2017	FA409*	FA409V*	FA409HH*	EPFA409HH*	017	25
FLHXSE CVO Street Glide <i>Enlarge Rotor Available</i>	2018-2020	FA409*	FA409V*	FA409HH*	EPFA409HH*	017	26
FLHXSE CVO Street Glide	2021-2023	FA409*	FA409V*	FA409HH*	EPFA409HH*		27
FLTI FLHTI FLHTCI Ultraglide®/Electraglide®/Electraglide Classic®/Ultra Classic®	1980-1983		FA072V*				28
FLTI FLHTI FLHTCI Ultraglide®/Electraglide®/Electraglide Classic®/Ultra Classic®	1984-1985	FA94*	FA94V*	FA94HH*	EPFA94HH*		29
FLTI FLHTI FLHTCI Ultraglide®/Electraglide®/Electraglide Classic®/Ultra Classic®	1986-1999	FA94*	FA94V*	FA94HH*	EPFA94HH*	002	30
FLTR Road Glide	2008-2009	FA409*	FA409V*	FA409HH*	EPFA409HH*	010	31
FLTR Road Glide <i>Enlarge Rotor Available</i>	2000-2007	FA400*	FA400V*	FA400HH*	EPFA400HH*	001	32
FLTRU Road Glide Ultra	2011-2012	FA409*	FA409V*	FA409HH*	EPFA409HH*	010	33
FLTRU Road Glide Ultra <i>Enlarge Rotor Available</i>	2016-2020	FA409*	FA409V*	FA409HH*	EPFA409HH*	017	34
FLTRU Road Glide Ultra Limited	2021-2023	FA409*	FA409V*	FA409HH*	EPFA409HH*	017	35
FLTRX Road Glide	2015-2023	FA409*	FA409V*	FA409HH*	EPFA409HH*	017	36
FLTRX Road Glide Custom	2010-2012	FA409*	FA409V*	FA409HH*	EPFA409HH*	010	37
FLTRX Road Glide Limited	2018-2023	FA409*	FA409V*	FA409HH*	EPFA409HH*	017	38
FLTRX Road Glide Limited CVO	2022-2023	FA409*	FA409V*	FA409HH*	EPFA409HH*	017	39
FLTRX Road Glide Special	2021-2023	FA409*	FA409V*	FA409HH*	EPFA409HH*	017	40
FLTRX Road Glide ST	2022-2023	FA409*	FA409V*	FA409HH*	EPFA409HH*	017	41
FLTRXS Road Glide Special <i>Enlarge Rotor Available</i>	2015-2020	FA409*	FA409V*	FA409HH*	EPFA409HH*	017	42
FLTRXSE Road Glide CVO	2021-2023	FA409*	FA409V*	FA409HH*	EPFA409HH*	017	43
RA 1250 Pan America Adventure	2020-2023			FA630HH*	EPFA630HH*		44
RA 1250 S Pan America Adventure Special	2020-2023			FA630HH*	EPFA630HH*		45
HARLEY-DAVIDSON® TRIKE							
FLHTCUTG Tri Glide Ultra	2014-2019		FA638V*	FA638HH*	EPFA638HH*	018	48
FLHTCUTG Tri Glide Ultra	2020-2023		FA638V*	FA638HH*	EPFA638HH*	018	49
FLHTCUTG Tri Glide Ultra Classic Trike	2009-2013		FA409V*	FA409HH*	EPFA409HH*	010	50
FLHTCUTGSE CVO Tri Glide	2021-2022		FA638V*	FA638HH*	EPFA638HH*	018	51
FLHXXX Street Glide Trike	2010-2011		FA409V*	FA409HH*	EPFA409HH*	010	52
FLRT Freewheeler Trike	2015-2019		FA638V*	FA638HH*	EPFA638HH*	018	53
FLRT Freewheeler Trike	2020-2023		FA638V*	FA638HH*	EPFA638HH*	018	54

Enlarge rotor available - see buyer's guide

* symbol after part# = 2 pieces required i.e. 2 pad sets or 2 rotors (twin rotor models)

Part numbers, prefixes, suffixes, photos and illustrations shown in this catalog are trademarks and/or copyrights of EBC Brakes or the trademark owner A C Freeman Investments Ltd and use without express written permission of the owners is punishable by law.

REAR: AMERICAN PRODUCED MOTORCYCLES



Line #

HARLEY-DAVIDSON® TOURING

SUFFIX OR PREFIX
PAD MATERIALS AND DESCRIPTION

YEAR

REAR					REAR ROTOR OPTIONS		
PADS	PADS	PADS	PADS		DESIGN NO.		
FA	V	HH	EPFA				
Organic Pads	Semi-Sintered V-Pads™	Double-H™ USA-Made Sintered Pads	Premium Low Noise Street Sintered Pads		See Buyers Guide for rotor style & finish options. Part nos for ordering & sizing.		
1	FLHR Road King Special	2021-2023	FA409	FA409V	FA409HH	EPFA409HH	011
2	FLHRI FLHRCI Road King® Road King Classic®	1994-1999	FA201	FA201V	FA201HH		
3	FLHRC Road King Classic	2008-2020	FA409	FA409V	FA409HH	EPFA409HH	011
4	FLHRCi Road King Classic	2000-2007	FA400	FA400V	FA400HH	EPFA400HH	003
5	FLHR Road King	2000-2007	FA400	FA400V	FA400HH	EPFA400HH	003
6	FLHRS Road King Custom	2004-2007	FA400	FA400V	FA400HH	EPFA400HH	003
7	FLHT Electra Glide Standard	2008-2010	FA409	FA409V	FA409HH	EPFA409HH	011
8	FLHT Electra Glide Standard	2021-2022	FA409	FA409V	FA409HH	EPFA409HH	011
9	FLHT Electra Glide Standard	2000-2007	FA400	FA400V	FA400HH	EPFA400HH	003
10	FLHTC Electra Glide Classic	2008-2012	FA409	FA409V	FA409HH	EPFA409HH	011
11	FLHTC Electra Glide Classic	2004-2007	FA400	FA400V	FA400HH	EPFA400HH	003
12	FLHTCU Ultra Classic Electra Glide	2008-2013	FA409	FA409V	FA409HH	EPFA409HH	011
13	FLHTCU Ultra Classic Electra Glide	2014-2020	FA409	FA409V	FA409HH	EPFA409HH	011
14	FLHTCU-I Electra Glide Ultra Classic	2000-2007	FA400	FA400V	FA400HH	EPFA400HH	003
15	FLHTCUL Ultra Classic Electra Glide Low	2015-2016	FA409	FA409V	FA409HH	EPFA409HH	011
16	FLHTK Electra Glide Ultra LTD	2010-2013	FA409	FA409V	FA409HH	EPFA409HH	011
17	FLHTK Electra Glide Ultra LTD	2015-2021	FA409	FA409V	FA409HH	EPFA409HH	011
18	FLHTKL Electra Glide Ultra LTD Low	2015-2020	FA409	FA409V	FA409HH	EPFA409HH	011
19	FLHTKSE CVO Limited	2021-2023		FA409V	FA409HH	EPFA409HH	011
20	FLHX Street Glide	2008-2013	FA409	FA409V	FA409HH	EPFA409HH	011
21	FLHX Street Glide	2014-2023	FA409	FA409V	FA409HH	EPFA409HH	011
22	FLHX Street Glide ST	2022-2023	FA409	FA409V	FA409HH	EPFA409HH	011
23	FLHX Street Glide	2006-2007	FA400	FA400V	FA400HH	EPFA400HH	003
24	FLHXS Street Glide Special	2015-2023	FA409	FA409V	FA409HH	EPFA409HH	011
25	FLHXSE CVO Street Glide	2015-2017	FA409	FA409V	FA409HH	EPFA409HH	011
26	FLHXSE CVO Street Glide	2018-2020	FA409	FA409V	FA409HH	EPFA409HH	011
27	FLHXSE CVO Street Glide	2021-2023	FA409	FA409V	FA409HH	EPFA409HH	011
28	FLTI FLHTI FLHTCI Ultraglide®/Electraglide®/Electraglide Classic®/Ultra Classic®	1980-1983	FA79	FA79V			MD509SR ☼
29	FLTI FLHTI FLHTCI Ultraglide®/Electraglide®/Electraglide Classic®/Ultra Classic®	1984-1985	FA79	FA79V			MD509SR ☼
30	FLTI FLHTI FLHTCI Ultraglide®/Electraglide®/Electraglide Classic®/Ultra Classic®	1986-1999	FA201	FA201V	FA201HH		MD509SR ☼
31	FLTR Road Glide	2008-2009	FA409	FA409V	FA409HH	EPFA409HH	011
32	FLTR Road Glide	2000-2007	FA400	FA400V	FA400HH	EPFA400HH	003
33	FLTRU Road Glide Ultra	2011-2012	FA409	FA409V	FA409HH	EPFA409HH	011
34	FLTRU Road Glide Ultra	2016-2020	FA409	FA409V	FA409HH	EPFA409HH	011
35	FLTRU Road Glide Ultra Limited	2021-2023	FA409	FA409V	FA409HH	EPFA409HH	011
36	FLTRX Road Glide	2015-2023	FA409	FA409V	FA409HH	EPFA409HH	011
37	FLTRX Road Glide Custom	2010-2012	FA409	FA409V	FA409HH	EPFA409HH	011
38	FLTRX Road Glide Limited	2018-2023	FA409	FA409V	FA409HH	EPFA409HH	011
39	FLTRX Road Glide Limited CVO	2022-2023	FA409	FA409V	FA409HH	EPFA409HH	011
40	FLTRX Road Glide Special	2021-2023	FA409	FA409V	FA409HH	EPFA409HH	011
41	FLTRX Road Glide ST	2022-2023	FA409	FA409V	FA409HH	EPFA409HH	011
42	FLTRXS Road Glide Special	2015-2020	FA409	FA409V	FA409HH	EPFA409HH	011
43	FLTRXSE Road Glide CVO	2021-2023	FA409	FA409V	FA409HH	EPFA409HH	011
44	RA 1250 Pan America Adventure	2020-2023	FA213	FA213V	FA213HH		
45	RA 1250 S Pan America Adventure Special	2020-2023	FA213	FA213V	FA213HH		
46							
47	HARLEY-DAVIDSON® TRIKE						
48	FLHTCUTG Tri Glide Ultra	2014-2019		FA641/4V ▲	FA641/4HH ▲		
49	FLHTCUTG Tri Glide Ultra	2020-2023	FA631	FA631V	FA631HH		
50	FLHTCUTG Tri Glide Ultra Classic Trike	2009-2013		FA605/4V ▲	FA605/4HH ▲		
51	FLHTCUTGSE CVO Tri Glide	2021-2022		FA631V	FA631HH		
52	FLHXXX Street Glide Trike	2010-2011		FA605/4V ▲	FA605/4HH ▲		
53	FLRT Freewheeler Trike	2015-2019		FA641/4V ▲	FA641/4HH ▲		
54	FLRT Freewheeler Trike	2020-2023	FA631	FA631V	FA631HH		
55	▲ PADS ARE SOLD IN AXLE SETS – 4 PADS PER SET						

All names & numbers are for reference purposes only. © Registered trademarks of Harley—Davidson® Motor Corp or Buell.

NOTE: — Some models may have a second rotor fitted as an optional extra. Please double check with your customer exactly which side the front rotor is fitted and if twin rotor or single.

☼ This symbol indicates a rotor made of billet steel, and should be only used with EBC FA Organic or Vee pads.

* symbol after part# = 2 pieces required i.e. 2 pad sets or 2 rotors (twin rotor models)

Part numbers, prefixes, suffixes, photos and illustrations shown in this catalog are trademarks and/or copyrights of EBC Brakes or the trademark owner A C Freeman Investments Ltd and use without express written permission of the owners is punishable by law.

FRONT: AMERICAN PRODUCED MOTORCYCLES



SUFFIX OR PREFIX
PAD MATERIALS AND DESCRIPTION

		FRONT				FRONT ROTOR OPTIONS	
		PADS	PADS	PADS	PADS	DESIGN NO.	
		FA	V	HH	EPFA		
		Organic Pads	Semi-Sintered V-Pads™	Double-H™ USA-Made Sintered Pads	Premium Low Noise Street Sintered Pads		See Buyers Guide for rotor style & finish options. Part nos for ordering & sizing.
YEAR							
HARLEY-DAVIDSON® V-ROD							
V-Rod	2002-2005	FA400*	FA400V*	FA400HH*	EPFA400HH*	006	1
VRSCAW V-Rod <i>Oversize Rotor Available</i>	2006-2007	FA409*	FA409V*	FA409HH*	EPFA409HH*	007	2
VRSCAW V-Rod <i>Oversize Rotor Available</i>	2008-2009	FA409*	FA409V*	FA409HH*	EPFA409HH*	009	3
VRSCD Night Rod <i>Oversize Rotor Available</i>	2006-2008	FA409*	FA409V*	FA409HH*	EPFA409HH*	007	4
VRSCDX Night Rod Special <i>Oversize Rotor Available</i>	2007-2017	FA409*	FA409V*	FA409HH*	EPFA409HH*	007	5
VRSCF V-Rod Muscle <i>Oversize Rotor Available</i>	2009-2017	FA409*	FA409V*	FA409HH*	EPFA409HH*	007	6
VRSCR Street Rod <i>Oversize Rotor Available</i>	2006-2007	FA409*	FA409V*	FA409HH*	EPFA409HH*	007	7
VRSCX V-Rod <i>Oversize Rotor Available</i>	2007	FA409*	FA409V*	FA409HH*	EPFA409HH*	009	8
VRSC 10th Anniversary V Rod	2012						9
ARCH							10
1 S	2019-2022	FA175*		FA175HH*	EPFA175HH*		11
KRGT-1	2019-2021	FA175*		FA175HH*	EPFA175HH*		13
Method 143	2019-2021	FA175*		FA175HH*	EPFA175HH*		14
ATK							15
125	2003	FA181X		FA181R	EPFA181HH		17
250	2003-2004	FA181X		FA181R	EPFA181HH	MD6032D	18
370	2004	FA181X		FA181R	EPFA181HH	MD6032D	19
500	2003-2004	FA181X		FA181R	EPFA181HH	MD6032D	20
560	1984-1985	FA47X					21
560	1986	FA47X					22
560	1987-1988	FA47X					23
560	1989-1991	FA126X					24
250/260	2003	FA181X		FA181R	EPFA181HH		25
450 Enduro	2007	FA181X		FA181R	EPFA181HH		26
450 Motard	2007	FA95		FA95HH	EPFA95HH		27
450 MX	2007	FA181X		FA181R	EPFA181HH		28
450 XC	2007	FA181X		FA181R	EPFA181HH		29
500 Enduro	2003	FA181X		FA181R	EPFA181HH		30
500/600 Super Motard	2002-2003	FA95		FA95HH	EPFA95HH		31
600 DTM Dirt Track Motard	2003	FA95		FA95HH	EPFA95HH		32
605 Enduro	2003	FA181X		FA181R	EPFA181HH		33
620 Intimidator	2004	FA181X		FA181R	EPFA181HH	MD6032D	34
650 GT R V-Twin Sport	2011	FA86*		FA86HH*		MD690*	35
650 GV V-Twin Cruiser	2011	FA86*		FA86HH*		MD691*	36
700 Intimidator	2004	FA181X		FA181R	EPFA181HH	MD6032D	37
700 Intimidator	2005	FA181X		FA181R	EPFA181HH	MD6032D	38
All models	1992	FA126X					39
All models	1993-1996	FA135X		FA135R			40
All models	1997-1999	FA181X		FA181R	EPFA181HH		41
GT 250 R V-Twin Sport	2011	FA86*		FA86HH*		MD690*	42
GV 250 V-Twin Cruiser	2011	FA86		FA86HH			43
BUELL							44
1125 CR	2009-2010			FA454/4HH	EPFA454/4HH	MD735RS	46
1125 R	2008-2010			FA454/4HH	EPFA454/4HH	MD735RS	47
Blast	2000-2007	FA196	FA196V	FA196HH		MD737	48
Firebolt XB9R	2002-2007			FA345HH	EPFA345HH	MD735RS	49
M2 Cyclone	1994-1997	FA210	FA210V			MD719RS	50
M2 Cyclone	1998-2000	FA424		FA424HH		MD719RS	51
M2 Cyclone	2000-2005	FA424		FA424HH		MD734RS	52
S1 Lightning	1994-1997	FA210	FA210V			MD719RS	53
S1 Lightning	1998-2000	FA424	FA424	FA424HH		MD719RS	54
S1 White Lightning	1998-2000			FA424HH		MD719RS	55

Oversize rotor available - see buyer's guide

* symbol after part# = 2 pieces required i.e. 2 pad sets or 2 rotors (twin rotor models)

Part numbers, prefixes, suffixes, photos and illustrations shown in this catalog are trademarks and/or copyrights of EBC Brakes or the trademark owner A C Freeman Investments Ltd and use without express written permission of the owners is punishable by law.

REAR: AMERICAN PRODUCED MOTORCYCLES



Line #

HARLEY-DAVIDSON® V-ROD

SUFFIX OR PREFIX
PAD MATERIALS AND DESCRIPTION

YEAR

REAR					REAR ROTOR OPTIONS		
PADS	PADS	PADS	PADS		DESIGN NO.		
FA	V	HH	EPFA				
Organic Pads	Semi-Sintered V-Pads™	Double-H™ USA-Made Sintered Pads	Premium Low Noise Street Sintered Pads		See Buyers Guide for rotor style & finish options. Part nos for ordering & sizing.		
1	V-Rod	2002-2005	FA400	FA400V	FA400HH	EPFA400HH	
2	VRSCAW V-Rod	2006-2007	FA409	FA409V	FA409HH	EPFA409HH	008
3	VRSCAW V-Rod	2008-2009	FA409	FA409V	FA409HH	EPFA409HH	008
4	VRSCD Night Rod	2006-2008	FA409	FA409V	FA409HH	EPFA409HH	008
5	VRSCDX Night Rod Special	2007-2017	FA409	FA409V	FA409HH	EPFA409HH	008
6	VRSCF V-Rod Muscle	2009-2017	FA409	FA409V	FA409HH	EPFA409HH	014
7	VRSCR Street Rod	2006-2007	FA409	FA409V	FA409HH	EPFA409HH	008
8	VRSCX V-Rod	2007	FA409	FA409V	FA409HH	EPFA409HH	008
9	VRSC 10th Anniversary V Rod	2012					
10	ARCH						
11							
12	1 S	2019-2022	FA47		FA47HH		
13	KRGT-1	2019-2021	FA47		FA47HH		
14	Method 143	2019-2021	FA47		FA47HH		
15	ATK						
16							
17	125	2003	FA208X		FA208R		
18	250	2003-2004	FA208X		FA208R	EPFA208HH	MD6035D
19	370	2004	FA208X		FA208R	EPFA208HH	MD6035D
20	500	2003-2004	FA208X		FA208R	EPFA208HH	MD6035D
21	560	1984-1985			814G		
22	560	1986					
23	560	1987-1988	FA115X		FA115R		
24	560	1989-1991	FA116				
25	250/260	2003	FA208X		FA208R	EPFA208HH	
26	450 Enduro	2007	FA208X		FA208R	EPFA208HH	
27	450 Motard	2007	FA131X		FA131R	EPFA131HH	
28	450 MX	2007	FA208X		FA208R	EPFA208HH	
29	450 XC	2007	FA208X		FA208R	EPFA208HH	
30	500 Enduro	2003	FA208X		FA208R	EPFA208HH	
31	500/600 Super Motard	2002-2003	FA208X		FA208R	EPFA208HH	
32	600 DTM Dirt Track Motard	2003	FA208X		FA208R	EPFA208HH	
33	605 Enduro	2003	FA208X		FA208R	EPFA208HH	
34	620 Intimidator	2004	FA208X		FA208R	EPFA208HH	MD6035D
35	650 GT R V-Twin Sport	2011	FA86		FA86HH		MD689
36	650 GV V-Twin Cruiser	2011	FA86		FA86HH		
37	700 Intimidator	2004	FA208X		FA208R	EPFA208HH	MD6035D
38	700 Intimidator	2005	FA208X		FA208R	EPFA208HH	MD6035D
39	All models	1992	FA47X		FA47R		
40	All models	1993-1996	FA135X		FA135R		
41	All models	1997-1999	FA208X		FA208R	EPFA208HH	
42	GT 250 R V-Twin Sport	2011	FA86		FA86HH		MD689
43	GV 250 V-Twin Cruiser	2011	606		606G		
44	BUELL						
45							
46	1125 CR	2009-2010			FA460HH		
47	1125 R	2008-2010			FA460HH		
48	Blast	2000-2007	FA140	FA140V	FA140HH		MD738
49	Firebolt XB9R	2002-2007	FA140	FA140V	FA140HH		MD522
50	M2 Cyclone	1994-1997	FA251				MD511
51	M2 Cyclone	1998-2000	FA140	FA140V	FA140HH		MD511
52	M2 Cyclone	2000-2005	FA140	FA140V	FA140HH		MD511
53	S1 Lightning	1994-1997	FA251				MD511
54	S1 Lightning	1998-2000	FA140	FA140V	FA140HH		MD511
55	S1 White Lightning	1998-2000	FA140	FA140V	FA140HH		MD511

All names & numbers are for reference purposes only. © Registered trademarks of Harley—Davidson® Motor Corp or Buell. NOTE: — Some models may have a second rotor fitted as an optional extra. Please double check with your customer exactly which side the front rotor is fitted and if twin rotor or single.

* symbol after part# = 2 pieces required i.e. 2 pad sets or 2 rotors (twin rotor models)

Part numbers, prefixes, suffixes, photos and illustrations shown in this catalog are trademarks and/or copyrights of EBC Brakes or the trademark owner A C Freeman Investments Ltd and use without express written permission of the owners is punishable by law.

FRONT: AMERICAN PRODUCED MOTORCYCLES



SUFFIX OR PREFIX
PAD MATERIALS AND DESCRIPTION

YEAR

					FRONT				
					PADS	PADS	PADS	PADS	FRONT ROTOR OPTIONS
					FA	V	HH	EPFA	DESIGN NO.
					Organic Pads	Semi-Sintered V-Pads™	Double-H™ USA-Made Sintered Pads	Premium Low Noise Street Sintered Pads	See Buyers Guide for rotor style & finish options. Part nos for ordering & sizing.
BUELL									
S2 Thunderbolt			1994-1997		FA210	FA210V			MD719RS
S3 Thunderbolt			1994-1997		FA210	FA210V			MD719RS
S3 Thunderbolt			1998-2000		FA424		FA424HH		MD719RS
S3T Thunderbolt			1998-2000		FA424		FA424HH		MD719RS
X1 Lightning			1998-2000		FA424		FA424HH		MD719RS
X1 Lightning			2000-2005		FA424		FA424HH		MD734RS
XB12 R Firebolt			2004-2008				FA345HH	EPFA345HH	MD735RS
XB12 R Firebolt			2009-2010				FA454/4HH	EPFA454/4HH	MD735RS
XB12 S Lightning			2004-2008				FA345HH	EPFA345HH	MD735RS
XB12 SCG Lightning			2006-2008				FA345HH	EPFA345HH	MD735RS
XB12 SCG Lightning			2009-2010				FA454/4HH	EPFA454/4HH	MD735RS
XB12 Ss Lightning			2009-2010				FA454/4HH	EPFA454/4HH	MD735RS
XB12 Ss Lightning Long			2006-2008				FA345HH	EPFA345HH	MD735RS
XB12 STT Lightning			2008				FA345HH	EPFA345HH	MD735RS
XB12 X Ulysses			2006-2010				FA345HH	EPFA345HH	MD735RS
XB12 XT Ulysses			2008-2010				FA345HH	EPFA345HH	MD735RS
XB9S Lightning			2003-2004				FA345HH	EPFA345HH	MD735RS
XB9SX Lightning			2008-2010				FA345HH	EPFA345HH	MD735RS
XB9SX Lightning City X			2005-2009				FA345HH	EPFA345HH	MD735RS
CAN AM RYKER									
600 Ace	Left		2018-2022		FA165X	SXR165HH	FA165R		
600 Ace	Right		2018-2022		FA135X	SXR135HH	FA135R		
900 Ace	Left		2018-2022		FA165X	SXR165HH	FA165R		
900 Ace	Right		2018-2022		FA135X	SXR135HH	FA135R		
900 Ace Rally Edition	Left		2021-2023		FA165X	SXR165HH	FA165R		
900 Ace Rally Edition	Right		2021-2023		FA135X	SXR135HH	FA135R		
CAN AM SPYDER									
F3 LTD			2016-2022			FA630V*	FA630HH*	EPFA630HH*	MD853*
F3 SE6ISM6			2015-2022			FA630V*	FA630HH*	EPFA630HH*	MD853*
F3-S Daytona 500			2017			FA630V*	FA630HH*	EPFA630HH*	MD853*
F3-S SE6ISM6			2015-2021			FA630V*	FA630HH*	EPFA630HH*	MD853*
F3-S Special Series			2016-2022			FA630V*	FA630HH*	EPFA630HH*	MD853*
F3-T			2016-2021			FA630V*	FA630HH*	EPFA630HH*	MD853*
RS			2013-2016			FA630V*	FA630HH*	EPFA630HH*	MD853*
RS			2010-2012		FA474*	FA474V*			MD801*
RS Phantom Black			2009		FA474*	FA474V*			MD801*
RS SE5			2008-2009		FA474*	FA474V*			MD801*
RS SM5			2008-2009		FA474*	FA474V*			MD801*
RS-S			2010-2012		FA474*	FA474V*			MD801*
RS-S			2013-2016			FA630V*	FA630HH*	EPFA630HH*	MD853*
RT			2010-2012		FA474*	FA474V*			MD801*
RT			2013-2021			FA630V*	FA630HH*	EPFA630HH*	MD853*
RT LTD			2010-2012		FA474*	FA474V*			MD801*
RT LTD			2013-2021			FA630V*	FA630HH*	EPFA630HH*	MD853*
RT-S			2010-2012		FA474*	FA474V*			MD801*
RT-S			2013-2015			FA630V*	FA630HH*	EPFA630HH*	MD853*
RT-S Special Series			2016-2017			FA630V*	FA630HH*	EPFA630HH*	MD853*
ST			2013-2016			FA630V*	FA630HH*	EPFA630HH*	MD853*
ST LTD			2013-2015			FA630V*	FA630HH*	EPFA630HH*	MD853*
ST-S			2013-2016			FA630V*	FA630HH*	EPFA630HH*	MD853*
EBR									
1190 RS Sport			2014-2015				FA454/4HH	EPFA454/4HH	MD735RS

Line #
1
2
3
4
5
6
7
8
9
10
11
12
13
14
15
16
17
18
19
20
21
22
23
24
25
26
27
28
29
30
31
32
33
34
35
36
37
38
39
40
41
42
43
44
45
46
47
48
49
50
51
52
53
54
55

* symbol after part# = 2 pieces required i.e. 2 pad sets or 2 rotors (twin rotor models)

Part numbers, prefixes, suffixes, photos and illustrations shown in this catalog are trademarks and/or copyrights of EBC Brakes or the trademark owner A C Freeman Investments Ltd and use without express written permission of the owners is punishable by law.

FRONT: AMERICAN PRODUCED MOTORCYCLES



SUFFIX OR PREFIX
PAD MATERIALS AND DESCRIPTION

YEAR

FRONT					FRONT ROTOR OPTIONS	
PADS	PADS	PADS	PADS		DESIGN NO.	
FA	V	HH	EPFA			
Organic Pads	Semi-Sintered V-Pads™	Double-H™ USA-Made Sintered Pads	Premium Low Noise Street Sintered Pads		See Buyers Guide for rotor style & finish options. Part nos for ordering & sizing.	
EBR						
1190 RX Sport				FA454/4HH	EPFA454/4HH	MD735RS
1190 SX				FA454/4HH	EPFA454/4HH	MD735RS
INDIAN						
Bomber		FA95*	FA95V*	FA95HH*		MD535*
Challenger 1800				FA630HH*		
Challenger 1800 Dark Horse				FA630HH*		
Challenger 1800 Elite				FA630HH*		
Challenger 1800 Limited				FA630HH*		
Chief				FA347HH		MD890BLK
Chief All models		FA216/3	FA216/3V	FA216/3HH		
Chief Blackhawk		FA95*	FA95V*	FA95HH*		MD535*
Chief Blackhawk Dark		FA95*	FA95V*	FA95HH*		MD535*
Chief Bobber				FA347HH		MD890BLK
Chief Bobber Dark Horse				FA347HH		MD890BLK
Chief Classic		FA95*	FA95V*	FA95HH*		MD535*
Chief Classic				FA347HH*		
Chief Dark Horse				FA347HH		MD890BLK
Chief Deluxe		FA95*	FA95V*	FA95HH*		MD535*
Chief Roadmaster		FA95*	FA95V*	FA95HH*		MD535*
Chief Standard		FA95*	FA95V*	FA95HH*		MD535*
Chief Super Chief				FA347HH		
Chief Super Chief Limited				FA347HH		
Chief Vintage		FA95*	FA95V*	FA95HH*		MD535*
Chief Vintage				FA347HH*		MD890BLK*
Chieftain				FA347HH*		MD890BLK*
Chieftain Dark Horse				FA347HH*		MD890BLK*
Chieftain Elite				FA347HH*		MD890BLK*
Chieftain Limited				FA347HH*		MD890BLK*
Dark Horse		FA95*	FA95V*	FA95HH*		MD535*
FTR 1200				FA630HH*	EPFA630HH*	MD803*
FTR 1200 R Carbon				FA630HH*	EPFA630HH*	MD803*
FTR 1200 Rally				FA630HH*	EPFA630HH*	MD803*
FTR 1200 S				FA630HH*	EPFA630HH*	MD803*
FTR 1200 S Race Replica				FA630HH*	EPFA630HH*	MD803*
Pursuit Limited				FA630HH*		MD803*
Roadmaster				FA347HH*		MD890BLK*
Roadmaster Dark Horse				FA347HH*		MD890BLK*
Roadmaster Dark Horse Jack Daniel's Edition				FA347HH*		MD890BLK*
Roadmaster Elite				FA347HH*		MD890BLK*
Roadmaster Limited				FA347HH*		MD890BLK*
Scout		FA209/2	FA209/2V	FA209/2HH		MD534
Scout		FA672	FA672V	FA672HH		MD534
Scout All models		FA216/3	FA216/3V	FA216/3HH		MD534XBLK
Scout Bobber		FA209/2	FA209/2V	FA209/2HH		MD534XBLK
Scout Bobber Sixty		FA209/2	FA209/2V	FA209/2HH		MD534XBLK
Scout Bobber Twenty		FA209/2	FA209/2V	FA209/2HH		MD534XBLK
Scout Rogue		FA209/2	FA209/2V	FA209/2HH		MD534
Scout Rogue Sixty		FA209/2	FA209/2V	FA209/2HH		MD534
Scout Sixty		FA672	FA672V	FA672HH		MD534
Scout Sixty		FA209/2	FA209/2V	FA209/2HH		MD534
Spirit All models		FA216/3	FA216/3V	FA216/3HH		
Springfield				FA347HH*		MD890BLK*
Springfield Dark Horse				FA347HH*		MD890BLK*

Line #

* symbol after part# = 2 pieces required i.e. 2 pad sets or 2 rotors (twin rotor models)

Part numbers, prefixes, suffixes, photos and illustrations shown in this catalog are trademarks and/or copyrights of EBC Brakes or the trademark owner A C Freeman Investments Ltd and use without express written permission of the owners is punishable by law.

FRONT: AMERICAN PRODUCED MOTORCYCLES



SUFFIX OR PREFIX
PAD MATERIALS AND DESCRIPTION

YEAR

FRONT					FRONT ROTOR OPTIONS	DESIGN NO.
PADS	PADS	PADS	PADS			
FA	V	HH	EPFA			
Organic Pads	Semi-Sintered V-Pads™	Double-H™ USA-Made Sintered Pads	Premium Low Noise Street Sintered Pads			See Buyers Guide for rotor style & finish options. Part nos for ordering & sizing.
MST	2014-2017	FA244*		FA244HH*	EPFA244HH*	
MST-01	2012-2013			FA322/4HH*	EPFA322/4HH*	
MSTR	2014-2017			FA447HH*	EPFA447HH*	
MSTR-01	2012-2013			FA322/4HH*	EPFA322/4HH*	
POLARIS SLINGSHOT						
Sport Pad and Sport Rotor Options shown on page 64						
All SL Models 2.0L	2019-2021	FA669/4*				
Base 2.0L	2015-2017	FA669/4*				019
S 2.0L	2018-2022	FA669/4*				019
SL 2.0L	2015-2023	FA669/4*				019
SL LE 2.0L	2015-2023	FA669/4*				019
SLR 2.0L	2017-2023	FA669/4*				
VICTORY						
Broadwalk	2013-2015			FA347HH	EPFA347HH	MD890BLK
Cross Country	2010-2017			FA347HH*	EPFA347HH*	MD890BLK
Cross Country 8-Ball	2015-2016			FA347HH*	EPFA347HH*	MD890BLK
Cross Country Cory Ness Victory	2011-2012			FA347HH*	EPFA347HH*	MD890BLK
Cross Country Touring	2013-2017			FA347HH*	EPFA347HH*	MD890BLK
Cross Roads	2010-2012			FA347HH*	EPFA347HH*	MD890BLK
Cross Roads 8-Ball	2014-2015			FA347HH*	EPFA347HH*	MD890BLK
Cross Roads Classic	2013-2014			FA347HH*	EPFA347HH*	MD890BLK
Deluxe Cruiser	2001-2002	FA244	FA244V	FA244HH	EPFA244HH	
Empulse TT	2016	FA244*	FA244V*	FA244HH*	EPFA244HH*	MD890BLK
Gunner	2015-2017			FA347HH	EPFA347HH	MD890BLK
Hammer	2005-2007	FA244*	FA244V*	FA244HH*	EPFA244HH*	MD678*
Hammer	2008-2011			FA347HH*	EPFA347HH*	MD678BLK
Hammer 8-Ball	2010-2015			FA347HH	EPFA347HH	MD678BLK
Hammer 8-Ball	2016			FA347HH*	EPFA347HH*	MD678BLK
Hammer S	2007			FA347HH		MD678BLK
Hammer S	2007	FA244*	FA244V*		EPFA244HH*	MD678*
Hammer S	2008-2017			FA347HH*	EPFA347HH*	MD678BLK
Hard Ball	2012-2013			FA347HH*	EPFA347HH*	MD678BLK
High Ball	2012-2017			FA347HH	EPFA347HH	MD890BLK
Jackpot	2007-2010			FA347HH	EPFA347HH	MD678
Jackpot	2011-2016			FA347HH	EPFA347HH	MD678
Jackpot Cory Ness	2008-2010			FA347HH	EPFA347HH	MD678
Judge	2013-2017			FA347HH	EPFA347HH	MD890BLK
King Pin	2004-2007	FA244	FA244V	FA244HH	EPFA244HH	MD678
King Pin	2008-2012			FA347HH	EPFA347HH	MD678
King Pin 8-Ball	2008-2011			FA347HH	EPFA347HH	MD678
King Pin Low	2009			FA347HH	EPFA347HH	MD678
King Pin Tour	2004-2007	FA244	FA244V	FA244HH	EPFA244HH	MD678
King Pin Tour	2008-2009			FA347HH	EPFA347HH	MD678
Magnum	2015-2017			FA347HH*	EPFA347HH*	MD678
Magnum X-1	2015-2017			FA347HH*	EPFA347HH*	MD890BLK
Ness Signature Series	2005-2007	FA244	FA244V	FA244HH	EPFA244HH	MD678
Octane 1200	2017	FA209/2	FA209/2V	FA209/2HH	EPFA209/2HH	MD534
Vegas Special Edition	2000	FA244	FA244V	FA244HH	EPFA244HH	MD678
Sport Cruiser	2000-2001	FA244*	FA244V*	FA244HH*	EPFA244HH*	MD727
Standard Cruiser	1998-2000	FA244	FA244V	FA244HH	EPFA244HH	MD727*
Standard Cruiser	2001-2002	FA244	FA244V	FA244HH	EPFA244HH	MD727*
Touring Cruiser	2003-2006	FA244*	FA244V*	FA244HH*	EPFA244HH*	

Line #

* symbol after part# = 2 pieces required i.e. 2 pad sets or 2 rotors (twin rotor models)

Part numbers, prefixes, suffixes, photos and illustrations shown in this catalog are trademarks and/or copyrights of EBC Brakes or the trademark owner A C Freeman Investments Ltd and use without express written permission of the owners is punishable by law.

REAR: AMERICAN PRODUCED MOTORCYCLES



Line #

MOTUS

SUFFIX OR PREFIX
PAD MATERIALS AND DESCRIPTION

YEAR

REAR					REAR ROTOR OPTIONS	
PADS	PADS	PADS	PADS		DESIGN NO.	
FA	V	HH	EPFA			
Organic Pads	Semi-Sintered V-Pads™	Double-H™ USA-Made Sintered Pads	Premium Low Noise Street Sintered Pads		See Buyers Guide for rotor style & finish options. Part nos for ordering & sizing.	
MST	2014-2017	FA266	FA266V			
MST-01	2012-2013	FA266	FA266V	FA266HH		
MSTR	2014-2017	FA266	FA266V	FA266HH		
MSTR-01	2012-2013	FA266	FA266V	FA266HH		
POLARIS SLINGSHOT						
Sport Pad and Sport Rotor Options shown on page 64						
All SL Models 2.0L	2019-2021	FA670				
Base 2.0L	2015-2017	FA670			019	
S 2.0L	2018-2022	FA670			019	
SL 2.0L	2015-2023	FA670			019	
SL LE 2.0L	2015-2023	FA670			019	
SLR 2.0L	2017-2023	FA670				
VICTORY						
Broadwalk	2013-2015	FA196	FA196V	FA196HH	EPFA196HH	MD887BLK
Cross Country	2010-2017	FA196	FA196V	FA196HH	EPFA196HH	MD887BLK
Cross Country 8-Ball	2015-2016	FA196	FA196V	FA196HH	EPFA196HH	MD887BLK
Cross Country Cory Ness Victory	2011-2012	FA196	FA196V	FA196HH	EPFA196HH	MD887BLK
Cross Country Touring	2013-2017	FA196	FA196V	FA196HH	EPFA196HH	MD887BLK
Cross Roads	2010-2012	FA196	FA196V	FA196HH	EPFA196HH	MD887BLK
Cross Roads 8-Ball	2014-2015	FA196	FA196V	FA196HH	EPFA196HH	MD887BLK
Cross Roads Classic	2013-2014	FA196	FA196V	FA196HH	EPFA196HH	MD887BLK
Deluxe Cruiser	2001-2002	FA209/2	FA209/2V	FA209/2HH	EPFA209/2HH	
Empulse TT	2016	FA266	FA266V	FA266HH	EPFA266HH	
Gunner	2015-2017	FA196	FA196V	FA196HH	EPFA196HH	MD890BLK
Hammer	2005-2007	FA209/2	FA209/2V	FA209/2HH	EPFA209/2HH	MD678
Hammer	2008-2011	FA196	FA196V	FA196HH	EPFA196HH	MD890BLK
Hammer 8-Ball	2010-2015	FA196	FA196V	FA196HH	EPFA196HH	MD890BLK
Hammer 8-Ball	2016	FA196	FA196V	FA196HH	EPFA196HH	MD890BLK
Hammer S	2007				EPFA209/2HH	MD890BLK
Hammer S	2007	FA209/2	FA209/2V	FA209/2HH	EPFA209/2HH	MD678
Hammer S	2008-2017	FA196	FA196V	FA196HH	EPFA196HH	MD890BLK
Hard Ball	2012-2013	FA196	FA196V	FA196HH	EPFA196HH	MD887BLK
High Ball	2012-2017	FA196	FA196V	FA196HH	EPFA196HH	MD890BLK
Jackpot	2007-2010	FA196	FA196V	FA196HH	EPFA196HH	MD678
Jackpot	2011-2016	FA196	FA196V	FA196HH	EPFA196HH	MD890BLK
Jackpot Cory Ness	2008-2010	FA196	FA196V	FA196HH	EPFA196HH	MD890BLK
Judge	2013-2017	FA196	FA196V	FA196HH	EPFA196HH	MD890BLK
King Pin	2004-2007	FA209/2	FA209/2V	FA209/2HH	EPFA209/2HH	MD678
King Pin	2008-2012	FA196	FA196V	FA196HH	EPFA196HH	MD890BLK
King Pin 8-Ball	2008-2011	FA196	FA196V	FA196HH	EPFA196HH	MD890BLK
King Pin Low	2009	FA196	FA196V	FA196HH	EPFA196HH	MD890BLK
King Pin Tour	2004-2007	FA209/2	FA209/2V	FA209/2HH	EPFA209/2HH	MD678
King Pin Tour	2008-2009	FA196	FA196V	FA196HH	EPFA196HH	MD890BLK
Magnum	2015-2017	FA196	FA196V	FA196HH	EPFA196HH	MD887BLK
Magnum X-1	2015-2017	FA196	FA196V	FA196HH	EPFA196HH	MD887BLK
Ness Signature Series	2005-2007	FA209/2	FA209/2V	FA209/2HH	EPFA209/2HH	MD678
Octane 1200	2017	FA213	FA213V	FA213HH	EPFA213HH	MD534
Special Edition	2000	FA209/2	FA209/2V	FA209/2HH	EPFA209/2HH	MD727
Sport Cruiser	2000-2001	FA209/2	FA209/2V	FA209/2HH	EPFA209/2HH	MD727
Standard Cruiser	1998-2000	FA209/2	FA209/2V	FA209/2HH	EPFA209/2HH	MD727
Standard Cruiser	2001-2002	FA209/2	FA209/2V	FA209/2HH	EPFA209/2HH	
Touring Cruiser	2003-2006	FA209/2	FA209/2V	FA209/2HH	EPFA209/2HH	

All names & numbers are for reference purposes only. © Registered trademarks of Harley—Davidson® Motor Corp or Buell.

NOTE: — Some models may have a second rotor fitted as an optional extra. Please double check with your customer exactly which side the front rotor is fitted and if twin rotor or single.

* symbol after part# = 2 pieces required i.e. 2 pad sets or 2 rotors (twin rotor models)

Part numbers, prefixes, suffixes, photos and illustrations shown in this catalog are trademarks and/or copyrights of EBC Brakes or the trademark owner A C Freeman Investments Ltd and use without express written permission of the owners is punishable by law.

PADS FOR AFTERMARKET CALIPERS

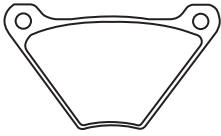


SUFFIX OR PREFIX PAD MATERIALS AND DESCRIPTION	FA	V	HH	EPFA
	Organic Pads	Semi-Sintered V-Pads™	Double-H™/MXS USA-Made Sintered Pads	Premium Low Noise Street Sintered Pads
BERINGER				
4 Piston Old Design	FA158		FA158HH	EPFA158HH
4 Piston Radial			MXS405	EPFA405HH
6 Piston Old Design	FA249		FA249HH	EPFA249HH
6 Piston Old design/2 piston	FA47		FA47HH	
6 Piston Old Design Endurance	FA249/2			
6 Piston New Design			MXS406	
GMA				
2 Piston rear large caliper model A CCI #09997	FA36	FA36V		
2 Piston small caliper model B CCI # 09996	FA76	FA76V	FA76HH	
4 Piston model F	FA115	FA115V	FA115HH	
IRON PEGASUS				
Small caliper Single Pin Fixing	FA47		FA47HH	
Small caliper 2 Pin Fixing JayBrake Calipers	FA115	FA115V	FA115HH	
JAYBRAKE				
Dual Quad 30004 2 & 4 Piston	FA115	FA115V	FA115HH	
JFour 30044 4 Piston	FA188		FA188HH	EPFA188HH
JSix 30064 6 Piston	FA243		FA243HH	
6 PFL 6 Piston for 13" Rotor Full Height Friction			FA455HH	
6 PFL 6 Piston for 11.5" Rotor Lower Height Friction			FA649HH	
Early Design 2 Piston	FA76	FA76V	FA76HH	
PERFORMANCE MACHINE				
112 X 6B	FA249		FA249HH	EPFA249HH
112 X 6QC	FA249		FA249HH	EPFA249HH
112 X 6RSB	FA190	FA190V	FA190HH	EPFA190HH
112 X 6SSB	FA190	FA190V	FA190HH	EPFA190HH
124 X 4HR	FA216/2		FA216/2HH	
125 X 2	FA115	FA115V	FA115HH	
125 X 4R	FA216/3	FA216/3V	FA216/3HH	
125 X 4RSPH	FA216/3	FA216/3V	FA216/3HH	
125 X 4S	FA115	FA115V	FA115HH	
125 X 4SL	FA115	FA115V	FA115HH	
125 X 6	FA210	FA210V		
125 X 6QC	FA190	FA190V	FA190HH	
137 X 4	FA216/2		FA216/2HH	
137 X 4 2006			FA420HH	
137 X 4B	FA216/3	FA216/3V	FA216/3HH	
137 X 6	FA210	FA210V		
162 X 2	FA32	FA32V		
REVTECH				
CCI Polished Caliper FrontRear	FA95	FA95V	FA95HH	EPFA95HH
New Black 4 Piston Caliper	FA216/3	FA216/3V	FA216/3HH	
WILWOOD				
PS1 Caliper Part # 1504091K	FA271X		FA271R	
GP300310 Part # 15087332	FA95	FA95V	FA95HH	EPFA95HH
GP320 Part # 1548596K	FA95			

* symbol after part# = 2 pieces required i.e. 2 pad sets or 2 rotors (twin rotor models)

EBC BRAKE PAD BUYERS GUIDE

FA24/2 114 x 67 x 7mm



MATERIAL AVAILABILITY					
FA	X	V	R	HH	EPFA
✓		✓			

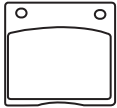
FA26 78 x 52.5 x 6.3mm



Complete with two rivets

MATERIAL AVAILABILITY					
FA	X	V	R	HH	EPFA
✓					

FA36 58 x 53 x 9mm



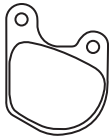
MATERIAL AVAILABILITY					
FA	X	V	R	HH	EPFA
✓		✓			

FA47 40 x 50 x 7mm



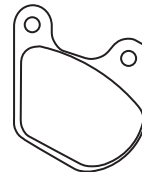
MATERIAL AVAILABILITY					
FA	X	V	R	HH	EPFA
✓	✓			✓	

FA71 69.5 x 54 x 6.5mm



MATERIAL AVAILABILITY					
FA	X	V	R	HH	EPFA
✓		✓			

FA72 89 x 71 x 6.5mm



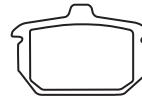
MATERIAL AVAILABILITY					
FA	X	V	R	HH	EPFA
✓		✓			

FA76 44 x 59 x 7mm



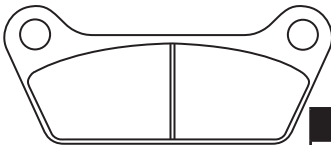
MATERIAL AVAILABILITY					
FA	X	V	R	HH	EPFA
✓		✓		✓	

FA78 74 x 49 x 12mm



MATERIAL AVAILABILITY					
FA	X	V	R	HH	EPFA
✓		✓		✓	

FA79 174 x 73 x 9.3mm



MATERIAL AVAILABILITY					
FA	X	V	R	HH	EPFA
✓		✓			

FA83 A. 47.5 x 37 x 9mm
B. 85 x 42.5 x 7mm



MATERIAL AVAILABILITY					
FA	X	V	R	HH	EPFA
	✓		✓	✓	

FA86 77 x 42 x 7mm



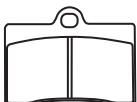
MATERIAL AVAILABILITY					
FA	X	V	R	HH	EPFA
✓				✓	

FA94 60 x 63 x 13mm



MATERIAL AVAILABILITY					
FA	X	V	R	HH	EPFA
✓		✓		✓	✓

FA95 69 x 51 x 8mm



MATERIAL AVAILABILITY					
FA	X	V	R	HH	EPFA
✓		✓		✓	✓

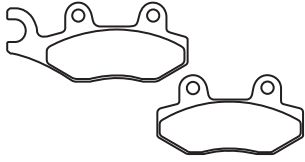
FA115 36 x 45 x 6mm



MATERIAL AVAILABILITY					
FA	X	V	R	HH	EPFA
✓				✓	

EBC BRAKE PAD BUYERS GUIDE

FA135 A. 97 x 43 x 7.4mm
B. 77 x 42 x 7.4



MATERIAL AVAILABILITY						
FA	X	V	R	HH	EPFA	
	✓		✓			

FA140 86 x 40 x 10.5mm



MATERIAL AVAILABILITY						
FA	X	V	R	HH	EPFA	
✓		✓		✓		

FA158 47 x 70 x 8mm



MATERIAL AVAILABILITY						
FA	X	V	R	HH	EPFA	
✓				✓	✓	

FA165 A. 77 x 42 x 7.5mm
B. 97 x 42 x 7.5mm



MATERIAL AVAILABILITY						
FA	X	V	R	HH	EPFA	
	✓		✓			

FA175 33.5 x 50.5 x 7mm



MATERIAL AVAILABILITY						
FA	X	V	R	HH	EPFA	
✓				✓	✓	

FA181 94 x 73 x 9.3mm



MATERIAL AVAILABILITY						
FA	X	V	R	HH	EPFA	
	✓	✓	✓	✓	✓	

FA185 94 x 34 x 7mm



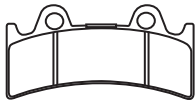
MATERIAL AVAILABILITY						
FA	X	V	R	HH	EPFA	
	✓		✓		✓	

FA188 89 x 53 x 8.5mm (inc fitted shim)



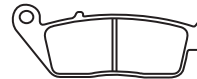
MATERIAL AVAILABILITY						
FA	X	V	R	HH	EPFA	
✓				✓	✓	

FA190 99 x 49.5 x 9.5mm



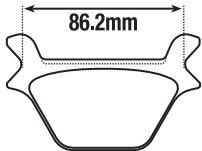
MATERIAL AVAILABILITY						
FA	X	V	R	HH	EPFA	
✓		✓		✓	✓	

FA196 101 x 39 x 9.8mm



MATERIAL AVAILABILITY						
FA	X	V	R	HH	EPFA	
✓		✓		✓	✓	

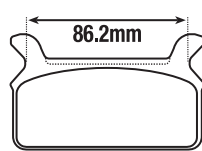
FA200 104 x 62 x 11mm



INCLUDES STEEL SLIDER SHIMS –
PLEASE REFER TO TECH PAGES AT
THE FRONT OF HANDBOOK

MATERIAL AVAILABILITY						
FA	X	V	R	HH	EPFA	
✓		✓		✓	✓	

FA201 104 x 62 x 11mm



INCLUDES STEEL SLIDER SHIMS –
PLEASE REFER TO TECH PAGES AT
THE FRONT OF HANDBOOK

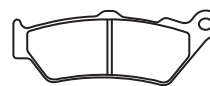
MATERIAL AVAILABILITY						
FA	X	V	R	HH	EPFA	
✓		✓		✓	✓	

FA208 78 x 41 x 9mm



MATERIAL AVAILABILITY						
FA	X	V	R	HH	EPFA	
	✓		✓			

FA209/2 109 x 41.5 x 7.5mm



MATERIAL AVAILABILITY						
FA	X	V	R	HH	EPFA	
✓		✓		✓	✓	

EBC BRAKE PAD BUYERS GUIDE

FA210 112 x 56.5 x 11mm



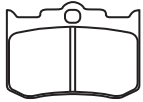
MATERIAL AVAILABILITY					
FA	X	V	R	HH	EPFA
✓		✓			

FA213 78 x 41 x 9mm



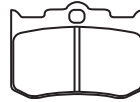
MATERIAL AVAILABILITY					
FA	X	V	R	HH	EPFA
✓		✓		✓	✓

FA216/2 69 x 49 x 10.5mm



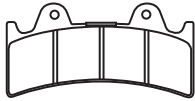
MATERIAL AVAILABILITY					
FA	X	V	R	HH	EPFA
✓				✓	

FA216/3 69 x 49 x 8mm



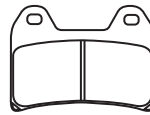
MATERIAL AVAILABILITY					
FA	X	V	R	HH	EPFA
✓		✓		✓	

FA243 99 x 49.5 x 8.5mm



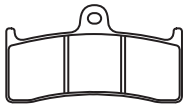
MATERIAL AVAILABILITY					
FA	X	V	R	HH	EPFA
✓				✓	

FA244 75 x 55 x 8.5mm



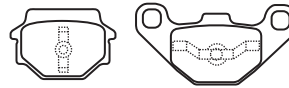
MATERIAL AVAILABILITY					
FA	X	V	R	HH	EPFA
✓		✓		✓	✓

FA249 92 x 51.5 x 10mm



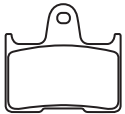
MATERIAL AVAILABILITY					
FA	X	V	R	HH	EPFA
✓				✓	

FA251 A. 55.5 x 37 x 10mm
B. 85 x 43 x 8mm



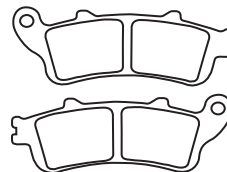
MATERIAL AVAILABILITY					
FA	X	V	R	HH	EPFA
✓					

FA254 60 x 57 x 8mm



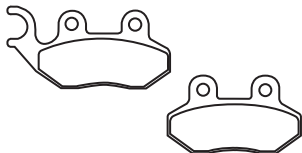
MATERIAL AVAILABILITY					
FA	X	V	R	HH	EPFA
✓		✓		✓	✓

FA261 116 x 41 x 8.5mm



MATERIAL AVAILABILITY					
FA	X	V	R	HH	EPFA
		✓		✓	✓

FA264 A. 85 x 43 x 8mm
B. 70 x 41 x 8mm



MATERIAL AVAILABILITY					
FA	X	V	R	HH	EPFA
✓				✓	

FA266 54 x 51 x 7.9mm



MATERIAL AVAILABILITY					
FA	X	V	R	HH	EPFA
✓		✓	✓	✓	✓

FA271 68 x 44 x 8mm



MATERIAL AVAILABILITY					
FA	X	V	R	HH	EPFA
	✓		✓		

FA296 75 x 55.5 x 7.5mm



MATERIAL AVAILABILITY					
FA	X	V	R	HH	EPFA
				✓	✓

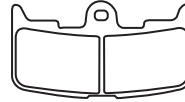
EBC BRAKE PAD BUYERS GUIDE

FA317 A. 82 x 41 x 9.5mm
B 62 x 41 x 9.5mm



MATERIAL AVAILABILITY					
FA	X	V	R	HH	EPFA
	✓		✓		

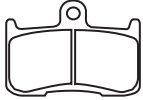
FA345 92 x 49.5 x 8mm



6 piston caliper Can refit original backing shim if desired

MATERIAL AVAILABILITY					
FA	X	V	R	HH	EPFA
				✓	✓

FA347 69.5 x 49.5 x 7mm



MATERIAL AVAILABILITY					
FA	X	V	R	HH	EPFA
				✓	✓

FA354 97 x 51.5 x 7mm



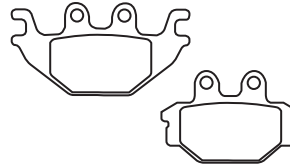
MATERIAL AVAILABILITY					
FA	X	V	R	HH	EPFA
			✓		

FA367 67 x 36 x 11mm



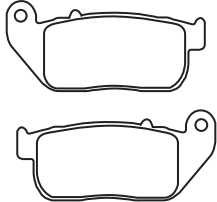
MATERIAL AVAILABILITY					
FA	X	V	R	HH	EPFA
	✓		✓		✓

FA377 A. 94 x 46 x 8.5mm
B. 73 x 46 x 11mm



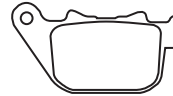
MATERIAL AVAILABILITY					
FA	X	V	R	HH	EPFA
✓		✓		✓	

FA381 103 x 48 x 10.9mm



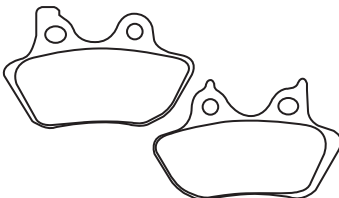
MATERIAL AVAILABILITY					
FA	X	V	R	HH	EPFA
✓		✓		✓	✓

FA387 87 x 50 x 10.4mm



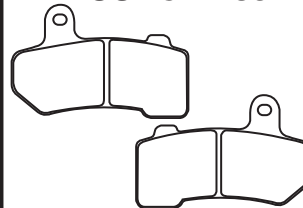
MATERIAL AVAILABILITY					
FA	X	V	R	HH	EPFA
✓		✓		✓	✓

FA400 97.5 x 64 x 8mm



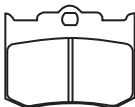
MATERIAL AVAILABILITY					
FA	X	V	R	HH	EPFA
✓		✓		✓	✓

FA409 92 x 56 x 7mm



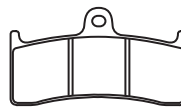
MATERIAL AVAILABILITY					
FA	X	V	R	HH	EPFA
✓		✓		✓	✓

FA420 69 x 50.5 x 8mm



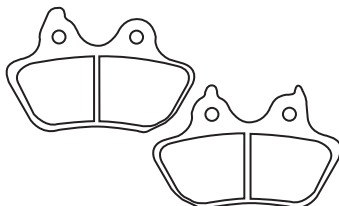
MATERIAL AVAILABILITY					
FA	X	V	R	HH	EPFA
				✓	

FA424 92 x 51.5 x 8.5mm



MATERIAL AVAILABILITY					
FA	X	V	R	HH	EPFA
✓				✓	✓

FA434 97.5 x 64.2 x 8mm



NOTE: Will not interchange with FA299 or FA400. Check old pad shape against drawing to ensure correct pad selected.

MATERIAL AVAILABILITY					
FA	X	V	R	HH	EPFA
✓		✓		✓	✓

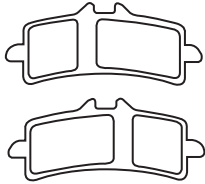
FA435/4 49 x 43.5 x 9.5mm



MATERIAL AVAILABILITY					
FA	X	V	R	HH	EPFA
				✓	✓

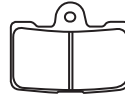
EBC BRAKE PAD BUYERS GUIDE

FA447 102 x 42 x 7.5mm



MATERIAL AVAILABILITY						
FA	X	V	R	HH	EPFA	
				✓	✓	

FA454/4 61.5 x 47 x 7.4mm (inc shims)



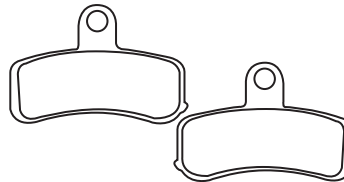
MATERIAL AVAILABILITY						
FA	X	V	R	HH	EPFA	
				✓	✓	

FA455 99 x 55 x 9mm



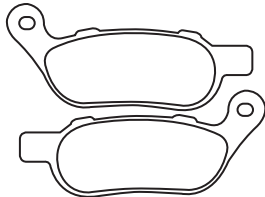
MATERIAL AVAILABILITY						
FA	X	V	R	HH	EPFA	
				✓		

FA457 91 x 62 x 8mm



MATERIAL AVAILABILITY						
FA	X	V	R	HH	EPFA	
		✓		✓	✓	

FA458 130 x 56.5 x 8mm



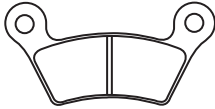
MATERIAL AVAILABILITY						
FA	X	V	R	HH	EPFA	
		✓		✓	✓	

FA460 49 x 46 x 6.9mm



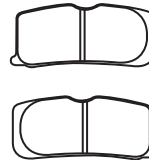
MATERIAL AVAILABILITY						
FA	X	V	R	HH	EPFA	
				✓		

FA473 111 x 54.5 x 8mm



MATERIAL AVAILABILITY						
FA	X	V	R	HH	EPFA	
✓		✓				

FA474 76 x 32 x 8mm



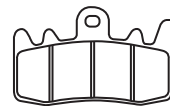
MATERIAL AVAILABILITY						
FA	X	V	R	HH	EPFA	
✓		✓				

FA605/4 98 x 47 x 8mm Hardware included



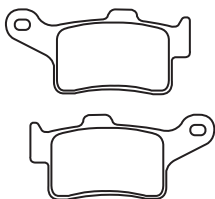
MATERIAL AVAILABILITY						
FA	X	V	R	HH	EPFA	
		✓		✓		

FA630 85 x 51 x 8mm



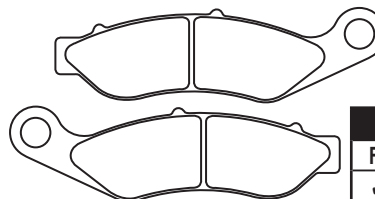
MATERIAL AVAILABILITY						
FA	X	V	R	HH	EPFA	
✓		✓		✓	✓	

FA631 96 x 44 x 8mm



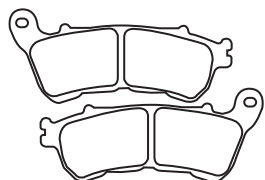
MATERIAL AVAILABILITY						
FA	X	V	R	HH	EPFA	
✓				✓		

FA638 174 x 50 x 8mm



MATERIAL AVAILABILITY						
FA	X	V	R	HH	EPFA	
✓		✓		✓	✓	

FA640 118 x 47.5 x 9mm



MATERIAL AVAILABILITY						
FA	X	V	R	HH	EPFA	
✓		✓		✓	✓	

FA641/4 88 x 43 x 8.5mm



MATERIAL AVAILABILITY						
FA	X	V	R	HH	EPFA	
✓		✓		✓		

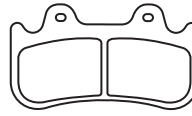
EBC BRAKE PAD BUYERS GUIDE

FA643 94 x 37 x 9mm



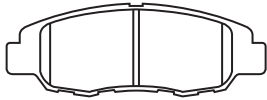
MATERIAL AVAILABILITY					
FA	X	V	R	HH	EPFA
✓		✓		✓	

FA649 99 x 55 x 8.8mm



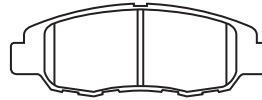
MATERIAL AVAILABILITY					
FA	X	V	R	HH	EPFA
				✓	

FA669/4 138 x 50 x 15mm (4 pad set)



MATERIAL AVAILABILITY					
FA	X	V	R	HH	EPFA
✓					

FA670 138 x 50 x 15mm (2 pad set)



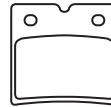
MATERIAL AVAILABILITY					
FA	X	V	R	HH	EPFA
✓					

FA672 114 x 39 x 9.5mm



MATERIAL AVAILABILITY					
FA	X	V	R	HH	EPFA
✓		✓		✓	✓

FA696 55 x 54 x 9mm



MATERIAL AVAILABILITY					
FA	X	V	R	HH	EPFA
✓		✓		✓	✓

FA710 82 x 42 x 10mm



MATERIAL AVAILABILITY					
FA	X	V	R	HH	EPFA
		✓		✓	✓

FA760 83 x 47 x 9.5mm



MATERIAL AVAILABILITY					
FA	X	V	R	HH	EPFA
				✓	

ROTOR GROUP NO. 001 – FRONT. CHOOSE YOUR PREFERRED STYLE:

Type	Solid	OD	11.5" / 290mm
Color /Finish	Natural	Thickness	0.196" / 5mm
Bobbins	None	Bore	2.22" / 56.4mm



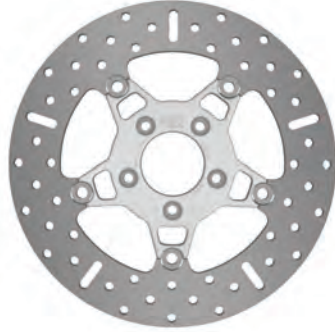
FSD008
Fits EBC Pads: 94, 381, 400, 457

Type	Solid	OD	11.5" / 290mm
Color /Finish	Natural	Thickness	0.196" / 5mm
Bobbins	None	Bore	2.22" / 56.4mm



VR009
Fits EBC Pads: 94, 381, 400, 457

Type	Floating	OD	11.5" / 290mm
Color /Finish	Polished	Thickness	0.196" / 5mm
Bobbins	5	Bore	2.22" / 56.4mm



FSD010
Fits EBC Pads: 94, 381, 400, 457

Type	Floating	OD	11.5" / 290mm
Color /Finish	Black	Thickness	0.196" / 5mm
Bobbins	5	Bore	2.22" / 56.4mm



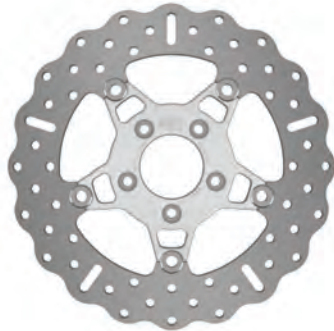
FSD010BLK
Fits EBC Pads: 94, 381, 400, 457

Type	Floating	OD	11.5" / 290mm
Color /Finish	Black	Thickness	0.196" / 5mm
Bobbins	5	Bore	2.22" / 56.4mm



VR010BLK
Fits EBC Pads: 94, 381, 400, 457

Type	Floating	OD	11.5" / 290mm
Color /Finish	Polished	Thickness	0.196" / 5mm
Bobbins	5	Bore	2.22" / 56.4mm



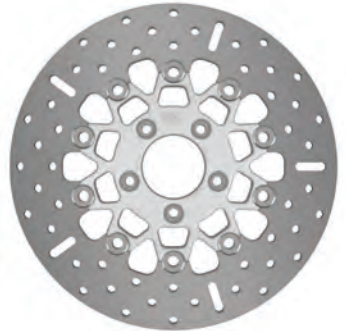
FSD012C
Fits EBC Pads: 94, 381, 400, 457

Type	Floating	OD	11.5" / 290mm
Color /Finish	Black	Thickness	0.196" / 5mm
Bobbins	5	Bore	2.22" / 56.4mm



FSD012CBLK
Fits EBC Pads: 94, 381, 400, 457

Type	Floating	OD	11.5" / 290mm
Color /Finish	Polished	Thickness	0.196" / 5mm
Bobbins	10	Bore	2.22" / 56.4mm



FSD023
Fits EBC Pads: 94, 381, 400, 457

Type	Floating	OD	11.5" / 290mm
Color /Finish	Black	Thickness	0.196" / 5mm
Bobbins	10	Bore	2.22" / 56.4mm



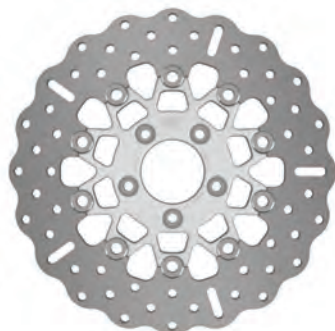
FSD023BLK
Fits EBC Pads: 94, 381, 400, 457

Type	Floating	OD	11.5" / 290mm
Color /Finish	Black	Thickness	0.196" / 5mm
Bobbins	10	Bore	2.22" / 56.4mm



VR023BLK
Fits EBC Pads: 94, 381, 400, 457

Type	Floating	OD	11.5" / 290mm
Color /Finish	Polished	Thickness	0.196" / 5mm
Bobbins	10	Bore	2.22" / 56.4mm



FSD027C
Fits EBC Pads: 94, 381, 400, 457

Type	Floating	OD	11.5" / 290mm
Color /Finish	Black	Thickness	0.196" / 5mm
Bobbins	10	Bore	2.22" / 56.4mm



FSD027CBLK
Fits EBC Pads: 94, 381, 400, 457

ROTOR GROUP NO. 001 – FRONT. CHOOSE YOUR PREFERRED STYLE:

Type	Floating	OD	14" / 355mm
Color /Finish	Black	Thickness	0.196" / 5mm
Bobbins	5	Bore	2.22" / 56.4mm

OVERSIZE ROTOR OPTION



OSMD004-14BLK
Fits EBC Pads: 94, 381, 400, 457



Supplied with relocation bracket & hardware
BRK707 **BRK708**

Type	Floating	OD	15" / 381mm
Color /Finish	Black	Thickness	0.196" / 5mm
Bobbins	5	Bore	2.22" / 56.4mm

OVERSIZE ROTOR OPTION



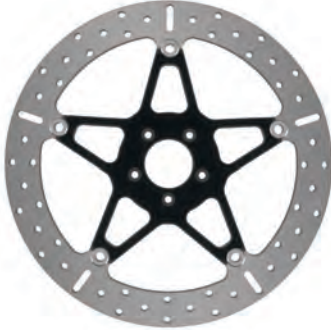
OSMD004-15BLK
Fits EBC Pads: 94, 381, 400, 457



Supplied with relocation bracket & hardware
BRK709 **BRK710**

Type	Floating	OD	15" / 381mm
Color /Finish	Black	Thickness	0.236" / 6mm
Bobbins	5	Bore	2.22" / 56.4mm

OVERSIZE ROTOR OPTION



OSMD004-15/6BLK
Fits EBC Pads: 94, 381, 400, 457



Supplied with relocation bracket & hardware
BRK709 **BRK710**

Type	Floating	OD	14" / 355mm
Color /Finish	Black	Thickness	0.196" / 5mm
Bobbins	5	Bore	2.22" / 56.4mm

OVERSIZE ROTOR OPTION



OSVR004-14BLK
Fits EBC Pads: 94, 381, 400, 457



Supplied with relocation bracket & hardware
BRK707 **BRK708**

Type	Floating	OD	15" / 381mm
Color /Finish	Black	Thickness	0.196" / 5mm
Bobbins	5	Bore	2.22" / 56.4mm

OVERSIZE ROTOR OPTION



OSVR004-15BLK
Fits EBC Pads: 94, 381, 400, 457



Supplied with relocation bracket & hardware
BRK709 **BRK710**

Type	Floating	OD	15" / 381mm
Color /Finish	Black	Thickness	0.236" / 6mm
Bobbins	5	Bore	2.22" / 56.4mm

OVERSIZE ROTOR OPTION



OSVR004-15/6BLK
Fits EBC Pads: 94, 381, 400, 457



Supplied with relocation bracket & hardware
BRK709 **BRK710**

Increased stopping power, feel and control with the EBC FULLY floating oversize range. These kits bolt directly onto your bike using the stock caliper and also deliver the advantages of a floating rotor over solid designs.

ROTOR GROUP NO. 002 – FRONT. CHOOSE YOUR PREFERRED STYLE:

Type	Solid	OD	11.5" / 290mm
Color /Finish	Natural	Thickness	0.196" / 5mm
Bobbins	None	Bore	1.99" / 50.6mm



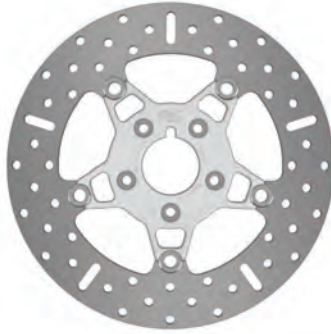
FSD007
Fits EBC Pads: 94, 216/3

Type	Solid	OD	11.5" / 290mm
Color /Finish	Natural	Thickness	0.196" / 5mm
Bobbins	None	Bore	1.99" / 50.6mm



VR007
Fits EBC Pads: 94, 216/3

Type	Floating	OD	11.5" / 290mm
Color /Finish	Polished	Thickness	0.196" / 5mm
Bobbins	5	Bore	1.99" / 50.6mm



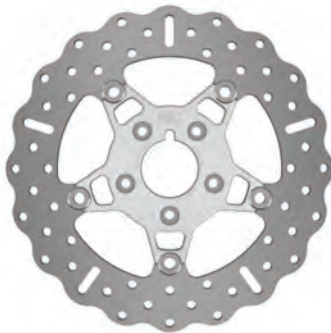
FSD009
Fits EBC Pads: 94, 216/3

Type	Floating	OD	11.5" / 290mm
Color /Finish	Black	Thickness	0.196" / 5mm
Bobbins	5	Bore	1.99" / 50.6mm



FSD009BLK
Fits EBC Pads: 94, 216/3

Type	Floating	OD	11.5" / 290mm
Color /Finish	Polished	Thickness	0.196" / 5mm
Bobbins	5	Bore	1.99" / 50.6mm



FSD011C
Fits EBC Pads: 94, 216/3

Type	Floating	OD	11.5" / 290mm
Color /Finish	Black	Thickness	0.196" / 5mm
Bobbins	5	Bore	1.99" / 50.6mm



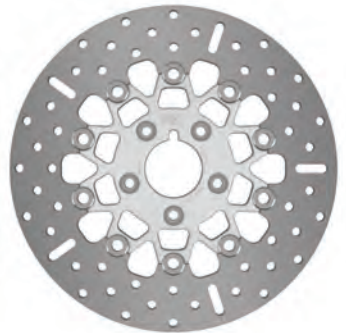
FSD011CBLK
Fits EBC Pads: 94, 216/3

Type	Floating	OD	11.5" / 290mm
Color /Finish	Black	Thickness	0.196" / 5mm
Bobbins	5	Bore	1.99" / 50.6mm



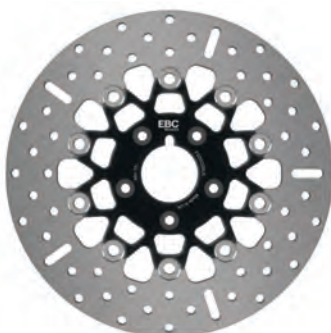
VR011BLK
Fits EBC Pads: 94, 216/3

Type	Floating	OD	11.5" / 290mm
Color /Finish	Polished	Thickness	0.196" / 5mm
Bobbins	10	Bore	1.99" / 50.6mm



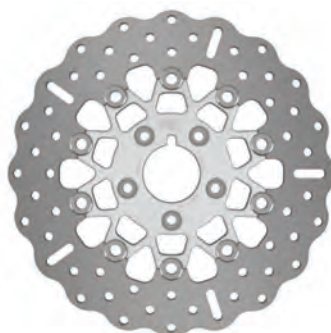
FSD022
Fits EBC Pads: 94, 216/3

Type	Floating	OD	11.5" / 290mm
Color /Finish	Black	Thickness	0.196" / 5mm
Bobbins	10	Bore	1.99" / 50.6mm



FSD022BLK
Fits EBC Pads: 94, 216/3

Type	Floating	OD	11.5" / 290mm
Color /Finish	Polished	Thickness	0.196" / 5mm
Bobbins	10	Bore	1.99" / 50.6mm



FSD026C
Fits EBC Pads: 94, 216/3

Type	Floating	OD	11.5" / 290mm
Color /Finish	Black	Thickness	0.196" / 5mm
Bobbins	10	Bore	1.99" / 50.6mm



FSD026CBLK
Fits EBC Pads: 94, 216/3

ROTOR GROUP NO. 003 – REAR. CHOOSE YOUR PREFERRED STYLE:

Type	Solid	OD	11.5" / 290mm
Color /Finish	Natural	Thickness	0.236" / 6mm
Bobbins	None	Bore	2.22" / 56.4mm



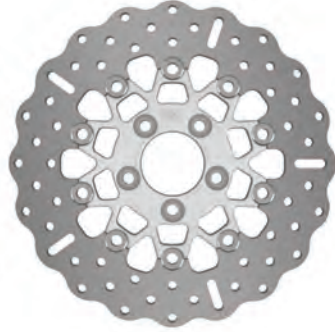
RSD008
Fits EBC Pads: 387, 400, 434, 458, 710

Type	Solid	OD	11.5" / 290mm
Color /Finish	Natural	Thickness	0.236" / 6mm
Bobbins	None	Bore	2.22" / 56.4mm



VR008
Fits EBC Pads: 387, 400, 434, 458, 710

Type	Floating	OD	11.5" / 290mm
Color /Finish	Polished	Thickness	0.236" / 6mm
Bobbins	10	Bore	2.22" / 56.4mm



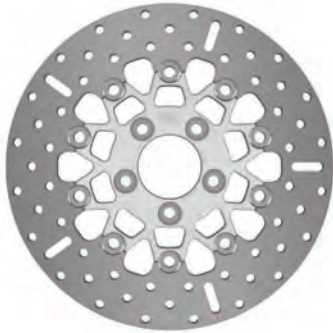
RSD018C
Fits EBC Pads: 387, 400, 434, 458, 710

Type	Floating	OD	11.5" / 290mm
Color /Finish	Black	Thickness	0.236" / 6mm
Bobbins	10	Bore	2.22" / 56.4mm



RSD018CBLK
Fits EBC Pads: 387, 400, 434, 458, 710

Type	Floating	OD	11.5" / 290mm
Color /Finish	Polished	Thickness	0.236" / 6mm
Bobbins	10	Bore	2.22" / 56.4mm



RSD020
Fits EBC Pads: 387, 400, 434, 458, 710

Type	Floating	OD	11.5" / 290mm
Color /Finish	Black	Thickness	0.236" / 6mm
Bobbins	10	Bore	2.22" / 56.4mm



RSD020BLK
Fits EBC Pads: 387, 400, 434, 458, 710

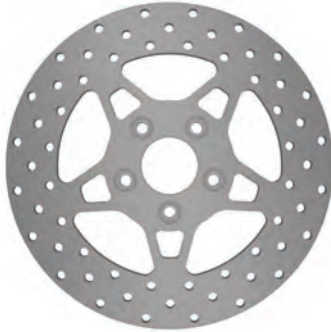
Type	Floating	OD	11.5" / 290mm
Color /Finish	Black	Thickness	0.236" / 6mm
Bobbins	10	Bore	2.22" / 56.4mm



VR020BLK
Fits EBC Pads: 387, 400, 434, 458, 710

ROTOR GROUP NO. 004 – REAR. CHOOSE YOUR PREFERRED STYLE:

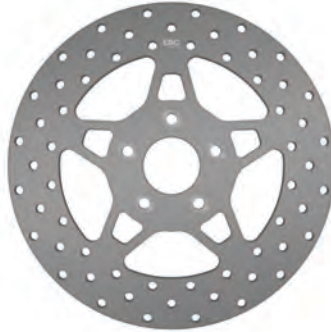
Type	Solid	OD	11.5" / 290mm
Color /Finish	Natural	Thickness	0.236" / 6mm
Bobbins	None	Bore	1.99" / 50.6mm



RSD007

Fits EBC Pads: 200, 216/3

Type	Solid	OD	11.5" / 290mm
Color /Finish	Natural	Thickness	0.275" / 7mm
Bobbins	None	Bore	1.99" / 50.6mm



RSD007A

Fits EBC Pads: 200, 216/3

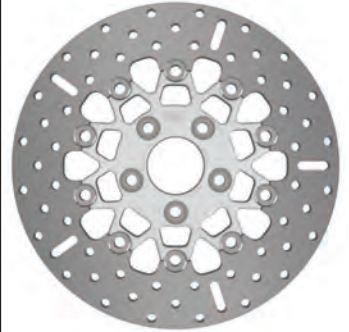
Type	Floating	OD	11.5" / 290mm
Color /Finish	Black	Thickness	0.236" / 6mm
Bobbins	10	Bore	1.99" / 50.6mm



RSD017CBLK

Fits EBC Pads: 200, 216/3

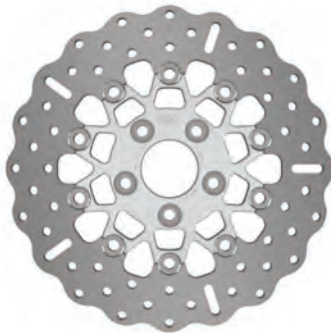
Type	Floating	OD	11.5" / 290mm
Color /Finish	Polished	Thickness	0.236" / 6mm
Bobbins	10	Bore	1.99" / 50.6mm



RSD019

Fits EBC Pads: 200, 216/3

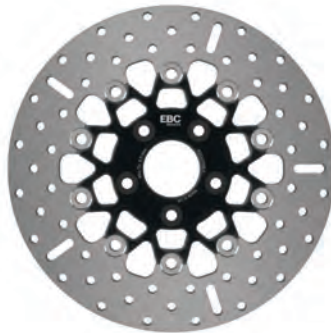
Type	Floating	OD	11.5" / 290mm
Color /Finish	Polished	Thickness	0.236" / 6mm
Bobbins	10	Bore	1.99" / 50.6mm



RSD019C

Fits EBC Pads: 200, 216/3

Type	Floating	OD	11.5" / 290mm
Color /Finish	Black	Thickness	0.236" / 6mm
Bobbins	10	Bore	1.99" / 50.6mm



RSD019BLK

Fits EBC Pads: 200, 216/3

Type	Floating	OD	11.5" / 290mm
Color /Finish	Black	Thickness	0.236" / 6mm
Bobbins	10	Bore	1.99" / 50.6mm



VR019BLK

Fits EBC Pads: 200, 216/3

ROTOR GROUP NO. 005 – FRONT. CHOOSE YOUR PREFERRED STYLE:

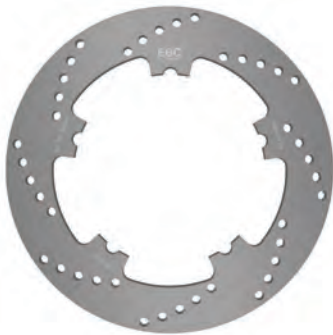
Type	Solid	OD	9.44" / 240mm
Color /Finish	Natural	Thickness	0.196" / 5mm
Bobbins	None	Bore	4.13" / 105mm



MD511
Fits EBC Pads: 140, 251

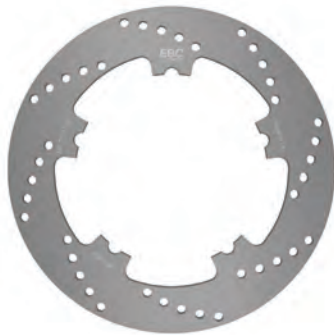
ROTOR GROUP NO. 006 – FRONT/REAR. CHOOSE YOUR PREFERRED STYLE:

Type	Solid	OD	11.5" / 290mm
Color /Finish	Natural	Thickness	0.196" / 5mm
Bobbins	None	Bore	6.77" / 172mm



MD514LS
Fits EBC Pads: 400

Type	Solid	OD	11.5" / 290mm
Color /Finish	Natural	Thickness	0.196" / 5mm
Bobbins	None	Bore	6.77" / 172mm



MD514RS
Fits EBC Pads: 400

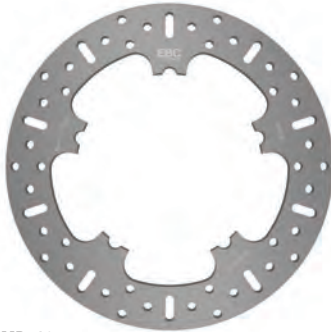
Type	Solid	OD	11.5" / 290mm
Color /Finish	Natural	Thickness	0.196" / 5mm
Bobbins	None	Bore	6.77" / 172mm



VR514
Fits EBC Pads: 400

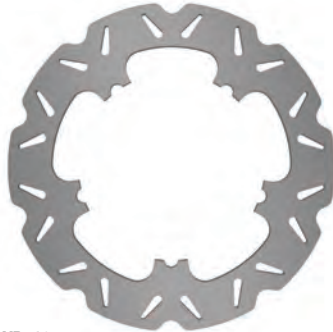
ROTOR GROUP NO. 007 – FRONT. CHOOSE YOUR PREFERRED STYLE:

Type	Solid	OD	11.8" / 300mm
Color /Finish	Natural	Thickness	0.196" / 5mm
Bobbins	None	Bore	6.7" / 171mm



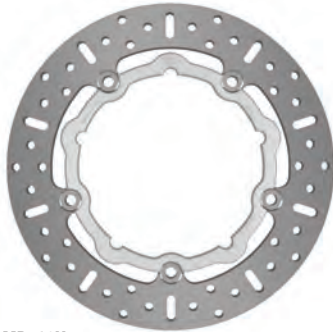
MD516
Fits EBC Pads: 400, 409, 457

Type	Solid	OD	11.8" / 300mm
Color /Finish	Natural	Thickness	0.196" / 5mm
Bobbins	None	Bore	6.7" / 171mm



VR516
Fits EBC Pads: 400, 409, 457

Type	Floating	OD	11.8" / 300mm
Color /Finish	Polished	Thickness	0.196" / 5mm
Bobbins	5	Bore	6.7" / 171mm



MD516X
Fits EBC Pads: 400, 409, 457

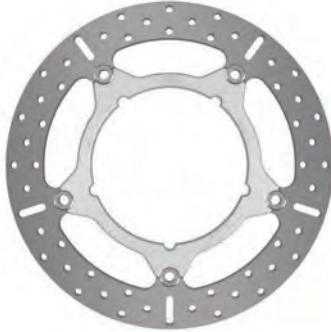
Type	Floating	OD	11.8" / 300mm
Color /Finish	Black	Thickness	0.196" / 5mm
Bobbins	5	Bore	6.7" / 171mm



VR516BLK
Fits EBC Pads: 400, 409, 457

Type	Floating	OD	14" / 355mm
Color /Finish	Polished	Thickness	0.196" / 5mm
Bobbins	5	Bore	6.7" / 171mm

OVERSIZE ROTOR OPTION



OSMD516-14
Fits EBC Pads: 400, 409, 457

Type	Floating	OD	14" / 355mm
Color /Finish	Black	Thickness	0.196" / 5mm
Bobbins	5	Bore	6.7" / 171mm

OVERSIZE ROTOR OPTION



OSMD516-14BLK
Fits EBC Pads: 400, 409, 457

Type	Floating	OD	14" / 355mm
Color /Finish	Black	Thickness	0.196" / 5mm
Bobbins	5	Bore	6.7" / 171mm

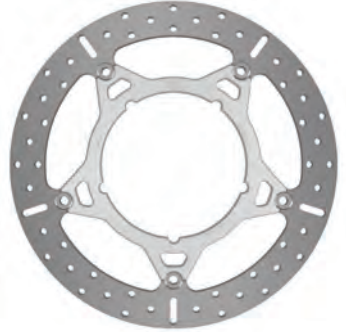
OVERSIZE ROTOR OPTION



OSVR516-14
Fits EBC Pads: 400, 409, 457

Type	Floating	OD	15" / 381mm
Color /Finish	Polished	Thickness	0.196" / 5mm
Bobbins	5	Bore	6.7" / 171mm

OVERSIZE ROTOR OPTION



OSMD516-15
Fits EBC Pads: 400, 409, 457



Supplied with relocation bracket & hardware
BRK703 **BRK704**



Supplied with relocation bracket & hardware
BRK703 **BRK704**



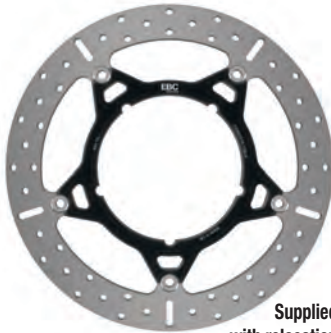
Supplied with relocation bracket & hardware
BRK703 **BRK704**



Supplied with relocation bracket & hardware
BRK701 **BRK702**

Type	Floating	OD	15" / 381mm
Color /Finish	Black	Thickness	0.196" / 5mm
Bobbins	5	Bore	6.7" / 171mm

OVERSIZE ROTOR OPTION



OSMD516-15BLK
Fits EBC Pads: 400, 409, 457
BRK701 **BRK702** **SEE RIGHT**

Type	Floating	OD	15" / 381mm
Color /Finish	Black	Thickness	0.196" / 5mm
Bobbins	5	Bore	6.7" / 171mm

OVERSIZE ROTOR OPTION



OSVR516-15
Fits EBC Pads: 400, 409, 457
BRK701 **BRK702** **SEE RIGHT**

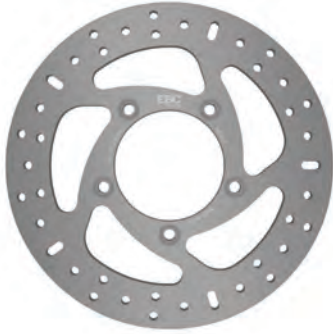
Increased stopping power, feel and control with the EBC FULLY floating oversize range. These kits bolt directly onto your bike using the stock caliper and also deliver the advantages of a floating rotor over solid designs.



BRK701 **BRK702**

ROTOR GROUP NO. 008 – REAR. CHOOSE YOUR PREFERRED STYLE:

Type	Solid	OD	11.8" / 300mm
Color /Finish	Natural	Thickness	0.275" / 7mm
Bobbins	None	Bore	4" / 101.6mm



MD517
Fits EBC Pads: 409

Type	Solid	OD	11.8" / 300mm
Color /Finish	Natural	Thickness	0.196" / 5mm
Bobbins	None	Bore	4" / 101.6mm



VR517
Fits EBC Pads: 409

Type	Floating	OD	11.8" / 300mm
Color /Finish	Black	Thickness	0.196" / 5mm
Bobbins	9	Bore	4" / 101.6mm



VR517BLK
Fits EBC Pads: 409

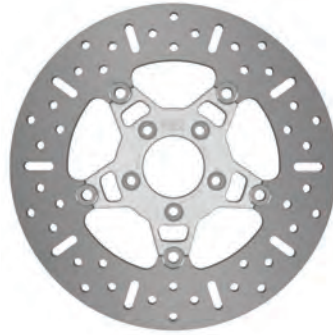
ROTOR GROUP NO. 009 – FRONT. CHOOSE YOUR PREFERRED STYLE:

Type	Solid	OD	11.8" / 300mm
Color /Finish	Natural	Thickness	0.196" / 5mm
Bobbins	None	Bore	2.22" / 56.4mm



VR518
Fits EBC Pads: 400, 409, 457

Type	Floating	OD	11.8" / 300mm
Color /Finish	Polished	Thickness	0.196" / 5mm
Bobbins	5	Bore	2.22" / 56.4mm



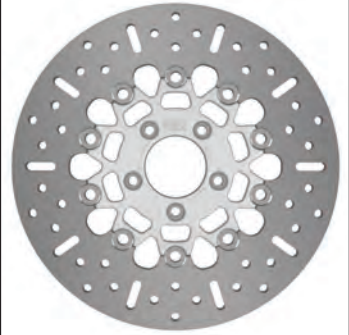
MD518/5
Fits EBC Pads: 400, 409, 457

Type	Floating	OD	11.8" / 300mm
Color /Finish	Black	Thickness	0.196" / 5mm
Bobbins	5	Bore	2.22" / 56.4mm



MD518/5BLK
Fits EBC Pads: 400, 409, 457

Type	Floating	OD	11.8" / 300mm
Color /Finish	Polished	Thickness	0.196" / 5mm
Bobbins	10	Bore	2.22" / 56.4mm



MD518
Fits EBC Pads: 400, 409, 457

Type	Floating	OD	11.8" / 300mm
Color /Finish	Black	Thickness	0.196" / 5mm
Bobbins	10	Bore	2.22" / 56.4mm



MD518BLK
Fits EBC Pads: 400, 409, 457

Type	Floating	OD	11.8" / 300mm
Color /Finish	Black	Thickness	0.196" / 5mm
Bobbins	10	Bore	2.22" / 56.4mm



MD518CBLK
Fits EBC Pads: 400, 409, 457

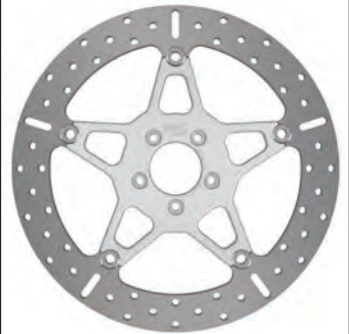
Type	Floating	OD	11.8" / 300mm
Color /Finish	Black	Thickness	0.196" / 5mm
Bobbins	10	Bore	2.22" / 56.4mm



VR518BLK
Fits EBC Pads: 400, 409, 457

Type	Floating	OD	14" / 355mm
Color /Finish	Polished	Thickness	0.196" / 5mm
Bobbins	5	Bore	2.22" / 56.4mm

OVERSIZE ROTOR OPTION



OSMD518-14
Fits EBC Pads: 400, 409, 457
Supplied with relocation bracket & hardware
BRK701



Type	Floating	OD	14" / 355mm
Color /Finish	Black	Thickness	0.196" / 5mm
Bobbins	5	Bore	2.22" / 56.4mm

OVERSIZE ROTOR OPTION



OSMD518-14BLK
Fits EBC Pads: 400, 409, 457
Supplied with relocation bracket & hardware
BRK701



Increased stopping power, feel and control with the EBC FULLY floating oversize range. These kits bolt directly onto your bike using the stock caliper and also deliver the advantages of a floating rotor over solid designs.

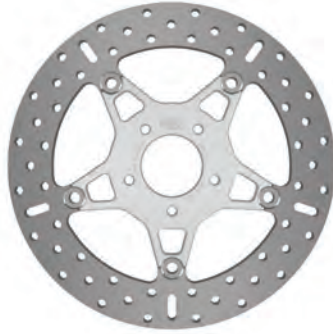
ROTOR GROUP NO. 010 – FRONT. CHOOSE YOUR PREFERRED STYLE:

Type	Solid	OD	11.8" / 300mm
Color /Finish	Natural	Thickness	0.196" / 5mm
Bobbins	None	Bore	2.22" / 56.4mm



VR520
Fits EBC Pads: 409

Type	Floating	OD	11.8" / 300mm
Color /Finish	Polished	Thickness	0.196" / 5mm
Bobbins	5	Bore	2.22" / 56.4mm



MD520
Fits EBC Pads: 409

Type	Floating	OD	11.8" / 300mm
Color /Finish	Black	Thickness	0.196" / 5mm
Bobbins	5	Bore	2.22" / 56.4mm



VR520BLK
Fits EBC Pads: 409

Type	Solid	OD	11.81" / 300mm
Color /Finish	Natural	Thickness	0.196" / 5mm
Bobbins	None	Bore	2.22" / 56.4mm



MD541
Fits EBC Pads: 409

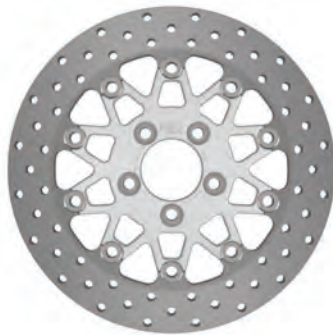
ROTOR GROUP NO. 011 – REAR. CHOOSE YOUR PREFERRED STYLE:

Type	Solid	OD	11.8" / 300mm
Color /Finish	Natural	Thickness	0.275" / 7mm
Bobbins	None	Bore	2.22" / 56.4mm



VR521
Fits EBC Pads: 409

Type	Floating	OD	11.8" / 300mm
Color /Finish	Polished	Thickness	0.275" / 7mm
Bobbins	10	Bore	2.22" / 56.4mm



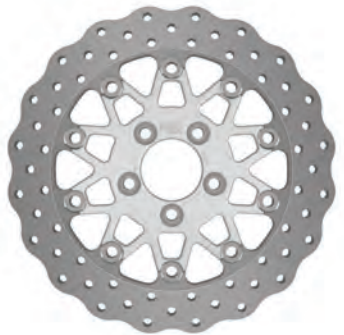
MD521
Fits EBC Pads: 409

Type	Floating	OD	11.8" / 300mm
Color /Finish	Black	Thickness	0.275" / 7mm
Bobbins	10	Bore	2.22" / 56.4mm



MD521BLK
Fits EBC Pads: 409

Type	Floating	OD	11.8" / 300mm
Color /Finish	Polished	Thickness	0.275" / 7mm
Bobbins	10	Bore	2.22" / 56.4mm




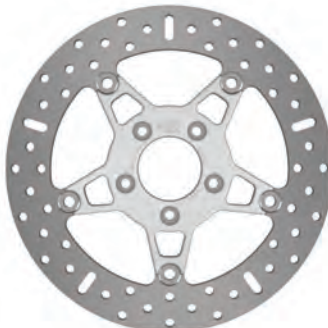


MD521C
Fits EBC Pads: 409

Type	Floating	OD	11.8" / 300mm
Color /Finish	Black	Thickness	0.275" / 7mm
Bobbins	10	Bore	2.22" / 56.4mm


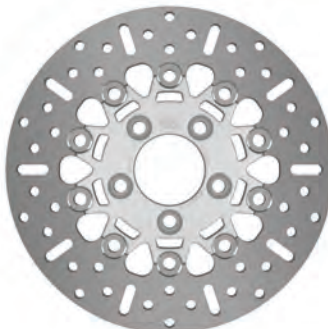
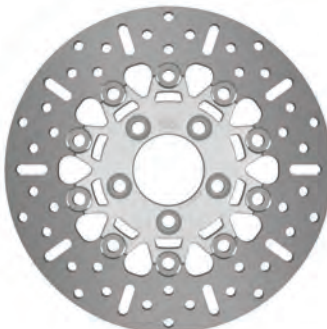



VR521BLK
Fits EBC Pads: 409

ROTOR GROUP NO. 012 – FRONT. CHOOSE YOUR PREFERRED STYLE:

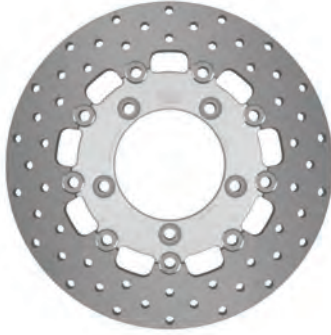
Type	Solid	OD	11.4" / 290mm	Type	Floating	OD	11.4" / 290mm	Type	Floating	OD	11.4" / 290mm	Type	Floating	OD	11.4" / 290mm
Color /Finish	Natural	Thickness	0.2" / 5.2mm	Color /Finish	Polished	Thickness	0.2" / 5.2mm	Color /Finish	Gold	Thickness	0.2" / 5.2mm	Color /Finish	Black	Thickness	0.2" / 5.2mm
Bobbins	None	Bore	2.22" / 56.4mm	Bobbins	5	Bore	2.22" / 56.4mm	Bobbins	5	Bore	2.22" / 56.4mm	Bobbins	5	Bore	2.22" / 56.4mm
															
MD523 Fits EBC Pads: 296				FSD523 Fits EBC Pads: 296				MD523X Fits EBC Pads: 296				VR523BLK Fits EBC Pads: 296			

ROTOR GROUP NO. 013 – REAR. CHOOSE YOUR PREFERRED STYLE:

Type	Solid	OD	10.23" / 260mm	Type	Floating	OD	10.23" / 260mm	Type	Floating	OD	10.23" / 260mm	Type	Floating	OD	10.23" / 260mm
Color /Finish	Natural	Thickness	0.275" / 7mm	Color /Finish	Polished	Thickness	0.275" / 7mm	Color /Finish	Polished	Thickness	0.275" / 7mm	Color /Finish	Black	Thickness	0.275" / 7mm
Bobbins	None	Bore	2.22" / 56.4mm	Bobbins	10	Bore	2.22" / 56.4mm	Bobbins	10	Bore	2.22" / 56.4mm	Bobbins	10	Bore	2.22" / 56.4mm
															
MD524 Fits EBC Pads: 254, 387				RSD524 Fits EBC Pads: 254, 387				MD524X Fits EBC Pads: 254, 387				VR524BLK Fits EBC Pads: 254, 387			

ROTOR GROUP NO. 014 – REAR. CHOOSE YOUR PREFERRED STYLE:

Type	Floating	OD	11.8" / 300mm
Color /Finish	Polished	Thickness	0.275" / 7mm
Bobbins	9	Bore	4" / 101.4mm



MD525
Fits EBC Pads: 409

Type	Floating	OD	11.8" / 300mm
Color /Finish	Black	Thickness	0.275" / 7mm
Bobbins	9	Bore	4" / 101.4mm



VR525BLK
Fits EBC Pads: 409

ROTOR GROUP NO. 015 – FRONT. CHOOSE YOUR PREFERRED STYLE:

Type	Solid	OD	11.8" / 300mm
Color /Finish	Natural	Thickness	0.196" / 5mm
Bobbins	None	Bore	2.22" / 56.4mm



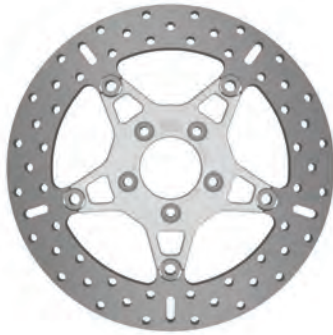
MD526
Fits EBC Pads: 296, 640

Type	Solid	OD	11.8" / 300mm
Color /Finish	Natural	Thickness	0.196" / 5mm
Bobbins	None	Bore	2.22" / 56.4mm



VR526
Fits EBC Pads: 296, 640

Type	Floating	OD	11.8" / 300mm
Color /Finish	Polished	Thickness	0.196" / 5mm
Bobbins	5	Bore	2.22" / 56.4mm



MD526X
Fits EBC Pads: 296, 640

Type	Floating	OD	11.8" / 300mm
Color /Finish	Black	Thickness	0.196" / 5mm
Bobbins	5	Bore	2.22" / 56.4mm



MD526XBLK
Fits EBC Pads: 296, 640


Type	Floating	OD	11.8" / 300mm
Color /Finish	Black	Thickness	0.196" / 5mm
Bobbins	5	Bore	2.22" / 56.4mm



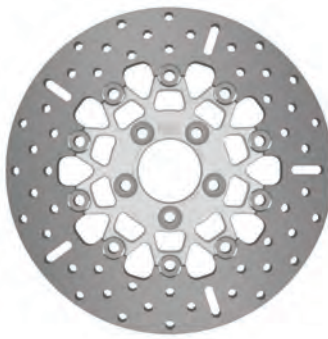
VR526BLK
Fits EBC Pads: 296, 640

ROTOR GROUP NO. 016 – REAR. CHOOSE YOUR PREFERRED STYLE:

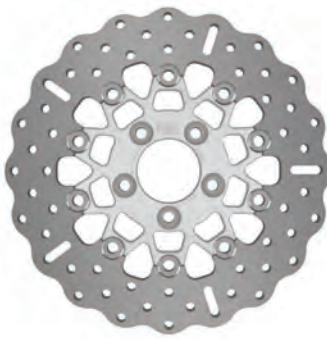
Type	Solid	OD	11.4" / 290mm	Type	Floating	OD	11.4" / 290mm	Type	Floating	OD	11.4" / 290mm	Type	Floating	OD	11.4" / 290mm
Color /Finish	Natural	Thickness	0.236" / 6mm	Color /Finish	Polished	Thickness	0.236" / 6mm	Color /Finish	Polished	Thickness	0.236" / 6mm	Color /Finish	Black	Thickness	0.236" / 6mm
Bobbins	None	Bore	2.22" / 56.4mm	Bobbins	10	Bore	2.22" / 56.4mm	Bobbins	10	Bore	2.22" / 56.4mm	Bobbins	10	Bore	2.22" / 56.4mm




VR528
Fits EBC Pads: 458, 710



MD528
Fits EBC Pads: 458, 710



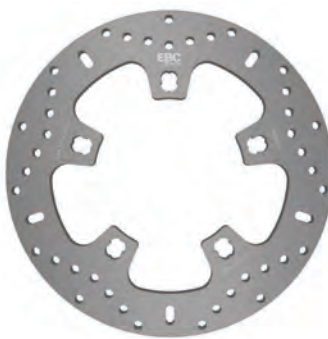
MD528C
Fits EBC Pads: 458, 710




VR528BLK
Fits EBC Pads: 458, 710

ROTOR GROUP NO. 017 – FRONT. CHOOSE YOUR PREFERRED STYLE:

Type	Solid	OD	11.8" / 300mm	Type	Solid	OD	11.8" / 300mm	Type	Solid	OD	14" / 355mm	Type	Solid	OD	14" / 355mm
Color /Finish	Natural	Thickness	0.196" / 5mm	Color /Finish	Natural	Thickness	0.196" / 5mm	Color /Finish	Natural	Thickness	0.196" / 5mm	Color /Finish	Natural	Thickness	0.196" / 5mm
Bobbins	None	Bore	5.48" / 139.2mm	Bobbins	None	Bore	5.48" / 139.2mm	Bobbins	None	Bore	5.48" / 139.2mm	Bobbins	None	Bore	5.48" / 139.2mm

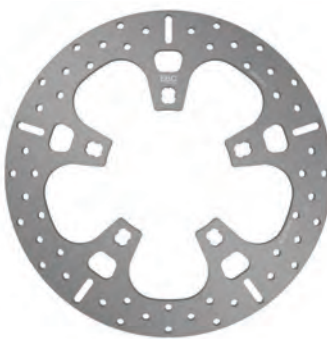


MD529
Fits EBC Pads: 409




VR529
Fits EBC Pads: 409


OVERSIZE ROTOR OPTION




OSMD529-14
Fits EBC Pads: 409
Supplied with relocation bracket & hardware
BRK705



OVERSIZE ROTOR OPTION



OSVR529-14
Fits EBC Pads: 409
Supplied with relocation bracket & hardware
BRK705



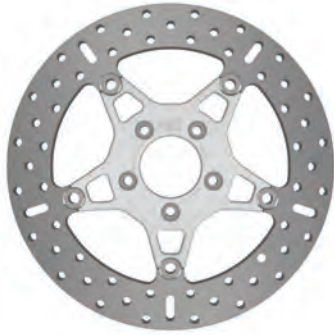
ROTOR GROUP NO. 018 – FRONT. CHOOSE YOUR PREFERRED STYLE:

Type	Solid	OD	11.8" / 300mm
Color /Finish	Natural	Thickness	0.196" / 5mm
Bobbins	None	Bore	2.22" / 56.4mm



VR530
Fits EBC Pads: 296, 638, 640

Type	Floating	OD	11.8" / 300mm
Color /Finish	Polished	Thickness	0.196" / 5mm
Bobbins	5	Bore	2.22" / 56.4mm



MD530
Fits EBC Pads: 296, 638, 640

Type	Floating	OD	11.8" / 300mm
Color /Finish	Black	Thickness	0.196" / 5mm
Bobbins	5	Bore	2.22" / 56.4mm



MD530BLK
Fits EBC Pads: 296, 638, 640

Type	Floating	OD	11.8" / 300mm
Color /Finish	Black	Thickness	0.196" / 5mm
Bobbins	5	Bore	2.22" / 56.4mm



VR530BLK
Fits EBC Pads: 296, 638, 640

ROTOR GROUP NO. 019 – FRONT/REAR. CHOOSE YOUR PREFERRED STYLE:

Type	Solid	OD	11.77" / 299mm
Color /Finish	Black	Thickness	0.82" / 21mm
Bobbins	None	Bore	2.67" / 68mm



MD533
Fits EBC Pads: 669/4, 670

Type	Solid	OD	11.77" / 299mm
Color /Finish	Black	Thickness	0.82" / 21mm
Bobbins	None	Bore	2.67" / 68mm



MD533BSDF – Front 2 required
Fits EBC Pads: 669/4, 670

Type	Solid	OD	11.77" / 299mm
Color /Finish	Black	Thickness	0.82" / 21mm
Bobbins	None	Bore	2.67" / 68mm



MD533BSDR – Rear 1 required
Fits EBC Pads: 669/4, 670

BSDF and BSDR slotted sport rotors
choose axle required from suffix F for front and R for rear)

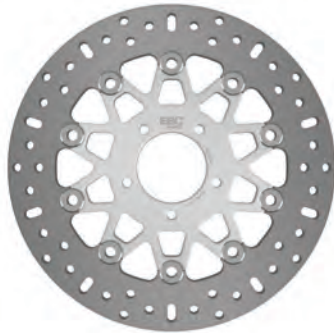
ROTOR GROUP NO. 020 – FRONT/REAR. CHOOSE YOUR PREFERRED STYLE:

Type	Solid	OD	11.73" / 298mm
Color /Finish	Natural	Thickness	0.196" / 5mm
Bobbins	None	Bore	2.52" / 64.2mm



MD534
Fits EBC Pads: 209/2, 213, 377, 672

Type	Floating	OD	11.73" / 298mm
Color /Finish	Polished	Thickness	0.196" / 5mm
Bobbins	10	Bore	2.52" / 64.2mm



MD534X
Fits EBC Pads: 209/2, 213, 377, 672

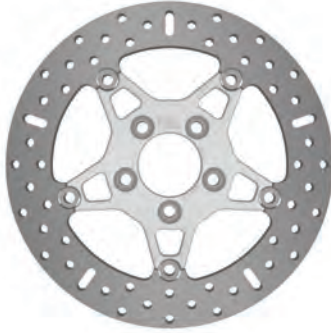
Type	Floating	OD	11.73" / 298mm
Color /Finish	Black	Thickness	0.196" / 5mm
Bobbins	10	Bore	2.52" / 64.2mm



VR534BLK
Fits EBC Pads: 209/2, 213, 377, 672

ROTOR GROUP NO. 021 – FRONT/REAR. CHOOSE YOUR PREFERRED STYLE:

Type	Floating	OD	11.5" / 292mm
Color /Finish	Polished	Thickness	0.196" / 5mm
Bobbins	5	Bore	2.22" / 56.4mm



MD535
Fits EBC Pads: 95, 696

Type	Floating	OD	11.5" / 292mm
Color /Finish	Black	Thickness	0.196" / 5mm
Bobbins	5	Bore	2.22" / 56.4mm



MD535BLK
Fits EBC Pads: 95, 696

Type	Floating	OD	11.5" / 292mm
Color /Finish	Black	Thickness	0.196" / 5mm
Bobbins	5	Bore	2.22" / 56.4mm



VR535BLK
Fits EBC Pads: 95, 696

ROTOR GROUP NO. 022 – FRONT. CHOOSE YOUR PREFERRED STYLE:

Type	Solid	OD	11.8" / 300mm
Color /Finish	Natural	Thickness	0.236" / 6mm
Bobbins	None	Bore	2.22" / 56.4mm



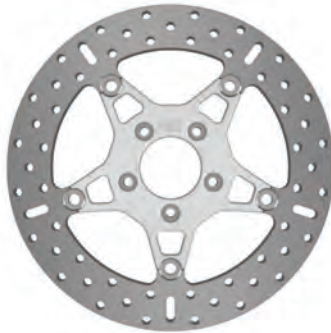
MD536
Fits EBC Pads: 209/2

Type	Solid	OD	11.8" / 300mm
Color /Finish	Natural	Thickness	0.236" / 6mm
Bobbins	None	Bore	2.22" / 56.4mm



VR536
Fits EBC Pads: 209/2

Type	Floating	OD	11.8" / 300mm
Color /Finish	Polished	Thickness	0.236" / 6mm
Bobbins	5	Bore	2.22" / 56.4mm



MD536X
Fits EBC Pads: 209/2

Type	Floating	OD	11.8" / 300mm
Color /Finish	Black	Thickness	0.236" / 6mm
Bobbins	5	Bore	2.22" / 56.4mm



MD536XBLK
Fits EBC Pads: 209/2

ROTOR GROUP NO. 023 – REAR. CHOOSE YOUR PREFERRED STYLE:

Type	Solid	OD	11.8" / 300mm
Color /Finish	Natural	Thickness	0.236" / 6mm
Bobbins	None	Bore	2.22" / 56.4mm



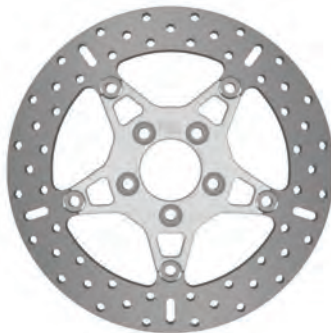
MD537
Fits EBC Pads: 181

Type	Solid	OD	11.8" / 300mm
Color /Finish	Natural	Thickness	0.236" / 6mm
Bobbins	None	Bore	2.22" / 56.4mm



VR537
Fits EBC Pads: 181

Type	Floating	OD	11.8" / 300mm
Color /Finish	Polished	Thickness	0.236" / 6mm
Bobbins	5	Bore	2.22" / 56.4mm



MD537X
Fits EBC Pads: 181

Type	Floating	OD	11.8" / 300mm
Color /Finish	Black	Thickness	0.236" / 6mm
Bobbins	5	Bore	2.22" / 56.4mm



MD537XBLK
Fits EBC Pads: 181

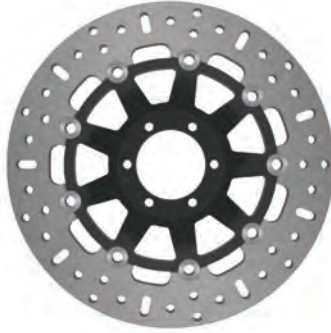
ROTOR GROUP NO. 024 – FRONT/REAR. CHOOSE YOUR PREFERRED STYLE:

Type	Floating	OD	11.77" / 299mm
Color /Finish	Natural	Thickness	0.196" / 5mm
Bobbins	9	Bore	2.52" / 64.2mm



MD678
Fits EBC Pads: 196, 209/2, 244, 347

Type	Floating	OD	11.77" / 299mm
Color /Finish	Black	Thickness	0.196" / 5mm
Bobbins	9	Bore	2.52" / 64.2mm



MD678BLK
Fits EBC Pads: 196, 209/2, 244, 347

Type	Floating	OD	11.77" / 299mm
Color /Finish	Black	Thickness	0.196" / 5mm
Bobbins	9	Bore	2.52" / 64.2mm



VR678BLK
Fits EBC Pads: 196, 209/2, 244, 347

ROTOR GROUP NO. 025 – REAR. CHOOSE YOUR PREFERRED STYLE:

Type	Floating	OD	11.77" / 299mm
Color /Finish	Black	Thickness	0.275" / 7mm
Bobbins	9	Bore	2.527" / 64.2mm



MD887BLK
Fits EBC Pads: 196

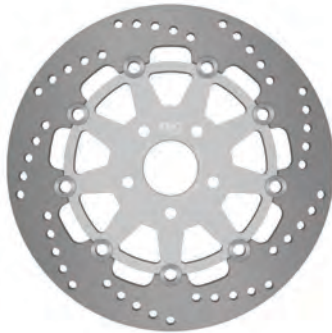
Type	Floating	OD	11.77" / 299mm
Color /Finish	Black	Thickness	0.275" / 7mm
Bobbins	9	Bore	2.527" / 64.2mm



VR887BLK
Fits EBC Pads: 196

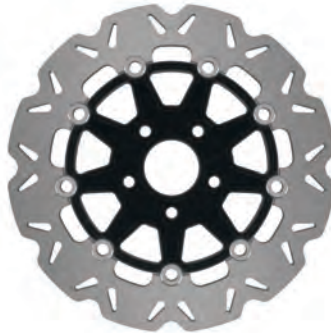
ROTOR GROUP NO. 026 – FRONT/REAR. CHOOSE YOUR PREFERRED STYLE:

Type	Floating	OD	11.77" / 299mm
Color /Finish	Natural	Thickness	0.196" / 5mm
Bobbins	9	Bore	1.99" / 50.6mm



MD727
Fits EBC Pads: 209/2, 244

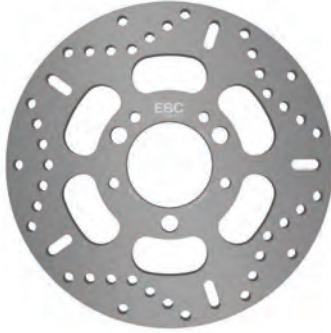
Type	Floating	OD	11.77" / 299mm
Color /Finish	Black	Thickness	0.196" / 5mm
Bobbins	9	Bore	1.99" / 50.6mm



VR727BLK
Fits EBC Pads: 209/2, 244

ROTOR GROUP NO. 027 – FRONT. CHOOSE YOUR PREFERRED STYLE:

Type	Solid	OD	9.84" / 250mm
Color /Finish	Natural	Thickness	0.236" / 6mm
Bobbins	None	Bore	2.606" / 66.2mm



MD801
Fits EBC Pads: 474

Type	Solid	OD	9.84" / 250mm
Color /Finish	Natural	Thickness	0.236" / 6mm
Bobbins	None	Bore	2.606" / 66.2mm



VR801
Fits EBC Pads: 474

ROTOR GROUP NO. 028 – REAR. CHOOSE YOUR PREFERRED STYLE:

Type	Solid	OD	9.84" / 250mm
Color /Finish	Natural	Thickness	0.236" / 6mm
Bobbins	None	Bore	2.606" / 66.2mm



MD802
Fits EBC Pads: 473

Type	Solid	OD	9.84" / 250mm
Color /Finish	Natural	Thickness	0.236" / 6mm
Bobbins	None	Bore	2.606" / 66.2mm



VR802
Fits EBC Pads: 473

ROTOR GROUP NO. 029 – FRONT. CHOOSE YOUR PREFERRED STYLE:

Type	Solid	OD	10.6" / 270mm
Color /Finish	Natural	Thickness	0.275" / 7mm
Bobbins	None	Bore	2.46" / 62.6mm



MD853
Fits EBC Pads: 630

Type	Solid	OD	10.6" / 270mm
Color /Finish	Natural	Thickness	0.275" / 7mm
Bobbins	None	Bore	2.46" / 62.6mm



VR853
Fits EBC Pads: 630

ROTOR GROUP NO. 030 – REAR. CHOOSE YOUR PREFERRED STYLE:

Type	Solid	OD	10.6" / 270mm
Color /Finish	Natural	Thickness	0.275" / 7mm
Bobbins	None	Bore	2.46" / 62.6mm



MD854
Fits EBC Pads: 631

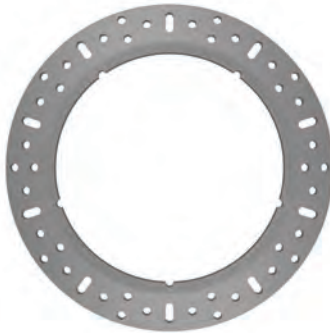
Type	Solid	OD	10.6" / 270mm
Color /Finish	Natural	Thickness	0.275" / 7mm
Bobbins	None	Bore	2.46" / 62.6mm



VR854
Fits EBC Pads: 631

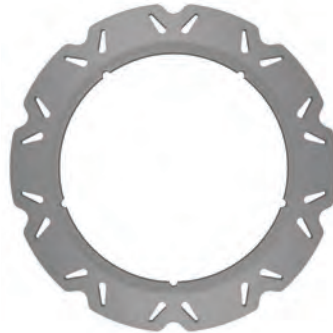
ROTOR GROUP NO. 031 – FRONT. CHOOSE YOUR PREFERRED STYLE:

Type	Solid	OD	12.59" / 320mm
Color /Finish	Natural	Thickness	0.196" / 5mm
Bobbins	None	Bore	8.86" / 225mm



MD737
Fits EBC Pads: 196

Type	Solid	OD	12.59" / 320mm
Color /Finish	Natural	Thickness	0.196" / 5mm
Bobbins	None	Bore	8.86" / 225mm



VR737
Fits EBC Pads: 196

ROTOR GROUP NO. 032 – REAR. CHOOSE YOUR PREFERRED STYLE:

Type	Solid	OD	8.66" / 220mm
Color /Finish	Natural	Thickness	0.196" / 5mm
Bobbins	None	Bore	1.99" / 50.6mm



MD738
Fits EBC Pads: 140

Type	Solid	OD	8.66" / 220mm
Color /Finish	Natural	Thickness	0.196" / 5mm
Bobbins	None	Bore	1.99" / 50.6mm



VR738
Fits EBC Pads: 140

MD509SR

MD515

MD522

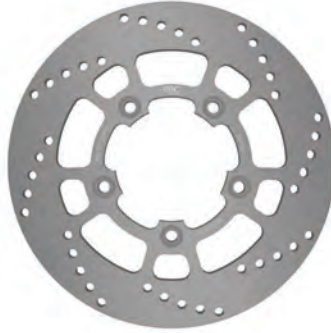
MD531

Type	Solid	OD	10.67" / 271mm
Color /Finish	Natural	Thickness	0.3" / 7mm
Bobbins	None	Bore	4" / 101.8mm



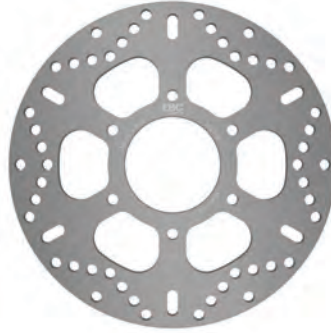
MD509SR – Billet Steel
Fits EBC Pads: 201, 201V only

Type	Solid	OD	11.5" / 292mm
Color /Finish	Natural	Thickness	0.23" / 5.8mm
Bobbins	None	Bore	4" / 101.4mm



MD515
Fits EBC Pads: 400

Type	Solid	OD	9.44" / 240mm
Color /Finish	Natural	Thickness	0.196" / 5mm
Bobbins	None	Bore	2.77" / 70.6mm



MD522
Fits EBC Pads: 140

Type	Solid	OD	11.41" / 290mm
Color /Finish	Natural	Thickness	0.2" / 5.2mm
Bobbins	None	Bore	2.22" / 56.4mm



MD531
Fits EBC Pads: 643

MD532

MD538

MD540

MD689

Type	Solid	OD	10.23" / 260mm
Color /Finish	Natural	Thickness	0.2" / 5.6mm
Bobbins	None	Bore	2.22" / 56.4mm



MD532
Fits EBC Pads: 643

Type	Solid	OD	10.67" / 270.5mm
Color /Finish	Black	Thickness	0.25" / 6.35mm
Bobbins	None	Bore	4.311" / 109.5mm



MD538 – Cast iron rotors for Trikes®
Fits EBC Pads: 641/4

Type	Solid	OD	8.97" / 228mm
Color /Finish	Black	Thickness	0.248" / 6.3mm
Bobbins	None	Bore	6.783" / 172.3mm



MD540 – Cast iron rotors for Trikes®
Fits EBC Pads: 605/4

Type	Solid	OD	9.05" / 230mm
Color /Finish	Natural	Thickness	0.177" / 4.5mm
Bobbins	None	Bore	3.433" / 87.2mm



MD689
Fits EBC Pads: 86

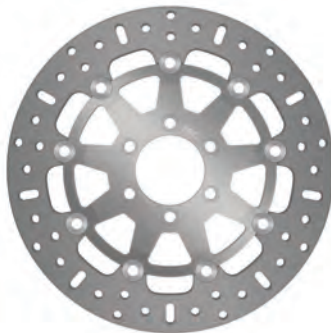
MD690

MD690C

MD691

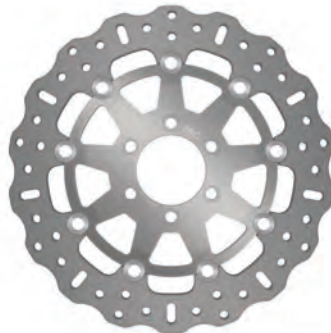
MD719RS

Type	Floating	OD	11.77" / 299mm
Color /Finish	Natural	Thickness	0.157" / 4mm
Bobbins	9	Bore	2.527" / 64.2mm



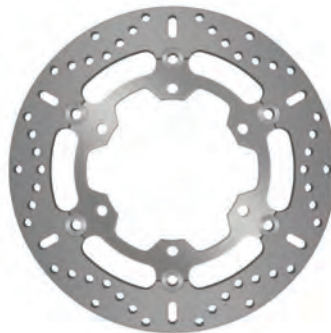
MD690
Fits EBC Pads: 86

Type	Floating	OD	11.77" / 299mm
Color /Finish	Natural	Thickness	0.157" / 4mm
Bobbins	9	Bore	2.527" / 64.2mm



MD690C
Fits EBC Pads: 86

Type	Floating	OD	11.81" / 300mm
Color /Finish	Natural	Thickness	0.157" / 4mm
Bobbins	6	Bore	5.126" / 130.2mm



MD691
Fits EBC Pads: 86

Type	Floating	OD	13.38" / 340mm
Color /Finish	Natural	Thickness	0.196" / 5mm
Bobbins	9	Bore	2.385" / 60.6mm



MD719RS
Fits EBC Pads: 210, 424

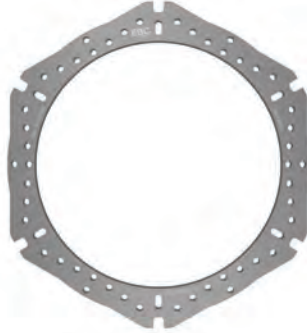
MD734RS**MD735RS****MD803****MD887BLK**

Type	Floating	OD	13.38" / 340mm
Color /Finish	Natural	Thickness	0.196" / 5mm
Bobbins	9	Bore	2.385" / 60.6mm



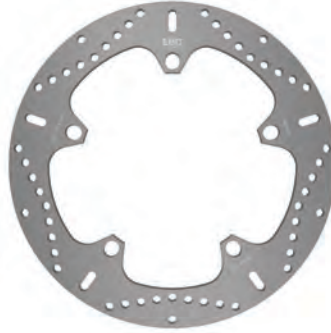
MD734RS
Fits EBC Pads: 424

Type	Solid	OD	14.76" / 375mm
Color /Finish	Natural	Thickness	0.196" / 5mm
Bobbins	None	Bore	12" / 307mm



MD735RS
Fits EBC Pads: 345, 454/4

Type	Solid	OD	12.6" / 320mm
Color /Finish	Natural	Thickness	0.177" / 4.5mm
Bobbins	None	Bore	7.106" / 180.5mm



MD803
Fits EBC Pads: 630

Type	Floating	OD	11.77" / 299mm
Color /Finish	Black	Thickness	0.275" / 7mm
Bobbins	9	Bore	2.527" / 64.2mm



MD887BLK
Fits EBC Pads: 196

MD890BLK**VR890BLK****MD8007****MD1187C**

Type	Floating	OD	11.77" / 299mm
Color /Finish	Black	Thickness	0.196" / 5mm
Bobbins	9	Bore	2.527" / 64.2mm



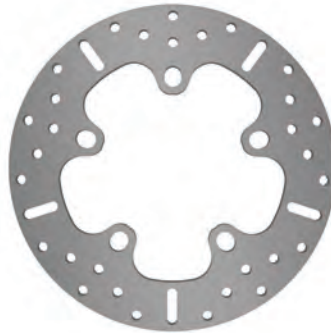
MD890BLK
Fits EBC Pads: 196, 261, 347

Type	Floating	OD	11.77" / 299mm
Color /Finish	Black	Thickness	0.196" / 5mm
Bobbins	9	Bore	2.527" / 64.2mm



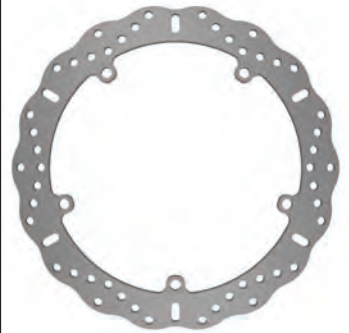
VR890BLK
Fits EBC Pads: 196, 261, 347

Type	Solid	OD	10.24" / 260mm
Color /Finish	Natural	Thickness	0.196" / 5mm
Bobbins	None	Bore	4.63" / 117.6mm



MD8007
Fits EBC Pads: 266

Type	Solid	OD	12.6" / 320mm
Color /Finish	Natural	Thickness	0.196" / 5mm
Bobbins	None	Bore	8.35" / 212.2mm



MD1187C
Fits EBC Pads: 185, 209/2, 264

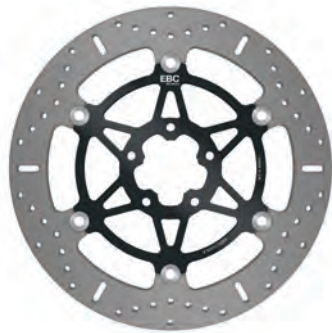
MD6435C**MD8018XBLK****MD8019****MD8020**

Type	Solid	OD	9.44" / 240mm
Color /Finish	Natural	Thickness	0.157" / 4mm
Bobbins	None	Bore	4.141" / 105.2mm



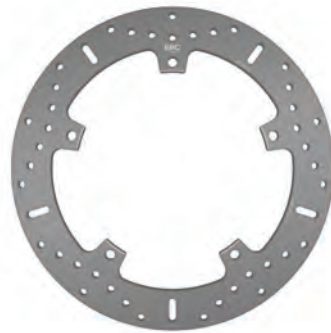
MD6435C
Fits EBC Pads: 83, 181, 185, 208, 209/2, 213, 264, 367

Type	Floating	OD	12.59" / 320mm
Color /Finish	Black	Thickness	0.177" / 4.5mm
Bobbins	6	Bore	2.244" / 57mm



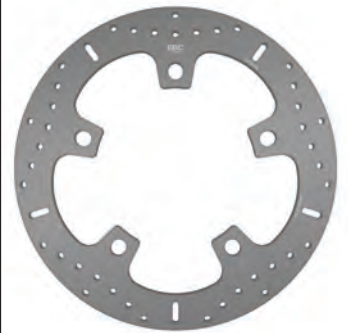
MD8018XBLK
Fits EBC Pads: 630

Type	Solid	OD	11.02" / 280mm
Color /Finish	Natural	Thickness	0.196" / 5mm
Bobbins	None	Bore	6.614" / 168mm



MD8019
Fits EBC Pads: 213

Type	Solid	OD	12.59" / 320mm
Color /Finish	Natural	Thickness	0.177" / 4.5mm
Bobbins	None	Bore	6.322" / 160.6mm



MD8020
Fits EBC Pads: 630

BRAKE LINES

EBC Brakes braided brake lines are manufactured in Great Britain from the highest quality materials, with braided stainless steel PTFE hose and grade 303 stainless steel precision machined fittings. At EBC Brakes we do not use mild steel or aluminum components in our brake lines, instead we choose stainless steel for every fitting, as this material offers maximum quality in terms of strength and corrosion resistance. EBC brake line kits are supplied 100% complete and include brand new stainless steel bolts and copper washers for maximum visuals.

EBC Brakes braided hoses fit many bikes in front, rear and race designs. Braided hoses improve brake pressure transfer to the caliper and Rotor pads, they help improve lever feel and reduce “bulging” which may happen with standard rubber hoses. Braided hoses are also more resistant to abrasion or cuts common with off road riding and thereby improve safety.

EBC brake lines are designed and built to last, that’s why every line is offered with a lifetime warranty. Every individual line is pressure tested after assembly and as an absolute guarantee of quality, EBC brake lines are manufactured to Federal Motor Vehicle Safety Standards (FMVSS-106) and have the following approvals: DOT, TÜV, ISO9001, DEKRA, ARAI, CCC AND ADR.

CAUTION – Check hose lengths carefully against parts being replaced and check carefully for pinch points and that hoses are not stretched at full handlebar lock position as this could cause hose leak and brake failure and an accident. EBC hoses are meant to replace standard length hoses and if your customer has changed to different size and shape bars these lines WILL NOT FIT and custom lines must be sourced.



KBA 61169

ISO9001



DEKRA

ARAI



ADR

BLM is our standard braided hose series.

Hose numbers are suffixed with a number and letter designating the number of hoses in the kits and front or rear, for example;

BLM5000-1F is a kit with a single hose for front fitment

BLM5007-3F is a kit with three hoses for front fitment

BLM5002-2R is a kit with two hoses for rear fitment

HARLEY-DAVIDSON® BRAKE LINES

EBC Harley-Davidson® lines are supplied in a unique finish, with chromed stainless fittings, black hose and black/space-grey EBC Brakes heat shrink.

Additionally, where many competitors use ‘off the shelf’ components, EBC Harley-Davidson® lines are manufactured using our own bespoke design of chrome plated hardware and brackets, ensuring perfect fitment for complex Harley-Davidson® brake line assemblies.



BRAKE LINES



HARLEY-DAVIDSON®



		OE Replacement Brake Lines (Front)	OE Replacement Brake Lines (Rear)
DYNA			
FLD Switchback	2012-2014	BLM5000-1F	
FLH/FLT Except FLTR ABS	2009-2013	BLM5001-4F	
FLH/FLT	1992-1996		BLM5002-2R
FLH/FLT	1997-2007		BLM5003-2R
FLH/FLT	2008-2013		BLM5004-1R
FLH/FLT	2009-2013	BLM5005-1F	
FLH/FLT	2014-2016	BLM5006-1F	
FLH/FLT	2008-2013	BLM5007-3F	
FXD	1991-1999		BLM5049-2R
FXD	2000-2007		BLM5050-2R
FXD	2008-2013		BLM5051-1R
FXD/FXDC	2000-2005	BLM5052-1F	
FXD35 35th Anniversary	2006-2007	BLM5053-1F	
FXDB Dyna Daytona	1991-1992	BLM5054-3F	
FXDB-S Sturgis	1991-1992	BLM5055-1F	
FXDBI Street Bob	2006-2015	BLM5056-1F	
FXDC	2006-2014	BLM5057-1F	
FXDC Dyna Glide Custom	1990-1992	BLM5058-1F	
FXDC Dyna Glide Custom	1991-1992	BLM5054-3F	
FXDC/FXDCI Dyna Super Glide	2005	BLM5052-1F	
FXDF Dyna Fat Bob	2008-2015	BLM5061-3F	
FXDL Dyna Low Rider	1993-2000	BLM5054-3F	
FXDL Dyna Low Rider	2001-2005	BLM5063-1F	
FXDL Dyna Low Rider	2006-2013	BLM5000-1F	
FXDS-Con Dyna Low Rider Convertible	1993-2000	BLM5054-3F	
FXDWG Dyna Wide Glide	1993-2005	BLM5066-1F	
FXDWG Dyna Wide Glide	2006-2008	BLM5067-1F	
FXDWG Dyna Wide Glide	2010-2014	BLM5068-1F	
FXDX Super Glide Sport	1999-2005	BLM5069-3F	
FXDXT Dyna Super Glide	2001-2003	BLM5070-3F	
FXLR/FXR	1987-1994		BLM5071-2R
FXLR Low Rider Custom Low Bars	1987-1994	BLM5072-1F	
FXR Super Glide	1987-1994	BLM5052-1F	
FXRS Low Rider Custom	1987-1994	BLM5074-1F	
FXRS-C Low Rider Convertible	1987-1994	BLM5075-3F	
FXRS-SP Low Rider Sport	1987-1994	BLM5076-3F	
FXRT Sport Glide Tourer	1987-1992	BLM5077-3F	
SOFTAIL			
FLS Softail Slim	2013-2015	BLM5018-1F	
FLS Softail Slim	2017-2018	BLM5120-1F	
FLST	2008-2013		BLM5019-2R
FLST Fat Boy	1984-1999		BLM5020-2R
FLST Fat Boy	2000-2006		BLM5021-2R
FLST Heritage	1984-1990	BLM5022-1F	
FLST Heritage	2007		BLM5023-2R
FLST-SB Cross Bones	2010-2011	BLM5024-1F	
FLSTC	2011-2015	BLM5025-1F	
FLSTC Heritage Classic	2011-2015	BLM5026-2F	
FLSTC Heritage Softail Classic	1987-2008	BLM5022-1F	
FLSTC Heritage Softail Classic	2009-2012	BLM5028-1F	
FLSTF	2011	BLM5029-1F	

FRONT

REAR

BRAKE LINES



HARLEY-DAVIDSON®



		OE Replacement Brake Lines (Front)	OE Replacement Brake Lines (Rear)
FLSTF Fat Boy	1990-2011	BLM5022-1F	
FLSTF Fat Boy	2007		BLM5031-2R
FLSTF Fatboy	2011	BLM5032-2F	
FLSTF/FLSTFB/FLSTF	2012-2013	BLM5018-1F	
FLSTF/FLSTN/FLSTB/FLS ABS	2012-2016	BLM5034-1F	
FLSTF/FLSTN/FLSTFB/FLS ABS	2012-2016	BLM5035-2F	
FLSTFB ABS	2011	BLM5036-1F	
FLSTFB Fatboy Low ABS	2011	BLM5037-2F	
FLSTN Softail Deluxe	2005-2013	BLM5018-1F	
FLSTN Softail Deluxe ABS	2011-2012	BLM5035-2F	
FLSTS Heritage Softail	1997-2003	BLM5040-1F	
FLSTSC Heritage Softail Classic	2005-2007	BLM5041-1F	
FXCW/FXCWC Softail Rocker	2008-2011	BLM5046-1F	
FXCWC ABS	2011	BLM5047-1F	
FXCWC Rocker ABS	2011	BLM5048-2F	
FXS Blackline	2011-2013	BLM5078-1F	
FXSB Breakout ABS	2014-2015	BLM5079-1F	
FXSB Breakout	2011-2014	BLM5127-3F	
FXSB Breakout	2015-2017	BLM5128-3F	
FXST	1984-1999		BLM5080-2R
FXST	2000-2005		BLM5021-2R
FXST ABS	2011-2015	BLM5082-1F	
FXST Softail	1984-1990	BLM5083-1F	
FXST Softail Standard	1999-2012	BLM5083-1F	
FXST/FXCW	2008-2013		BLM5019-2R
FXST/FXSTB/FXSTC	2007		BLM5031-2R
FXST/FXSTS/FXSTB	2006		BLM5087-2R
FXSTB Softail Night Train	1999-2009	BLM5088-1F	
FXSTC Softail Custom	1987-1999	BLM5083-1F	
FXSTC Softail Custom	2007-2010	BLM5090-1F	
FXSTD	2000-2006		BLM5021-2R
FXSTD	2007		BLM5023-2R
FXSTD Deuce	2000-2007	BLM5093-1F	
FXSTS Springer Softail	1987-2006	BLM5094-1F	
FXSTSB Bad Boy	1995-1997	BLM5095-1F	
SPORTSTER			
XL 50	2007	BLM5112-1F	BLM5105-2R
XL All Models	2004-2013		BLM5105-2R
XL All Models	1987-2003		BLM5106-2R
XL 883 Custom	2004-2010	BLM5112-1F	BLM5105-2R
XL 883 Custom	1996-2003	BLM5108-1F	BLM5106-2R
XL 883 Deluxe	1987-1991	BLM5108-1F	BLM5106-2R
XL 883 Deluxe	1992-2003	BLM5111-1F	BLM5106-2R
XL 883 R	2004-2013	BLM5109-3F	BLM5105-2R
XL 883 R	2002-2003	BLM5126-3F	BLM5106-2R
XL 883 Standard	2004-2009	BLM5113-1F	BLM5105-2R
XL 883 Standard	1987-2003	BLM5108-1F	BLM5106-2R
XL 883L Low	2005-2015	BLM5115-1F	
XL 883 N Iron	2010-2013	BLM5113-1F	BLM5105-2R
XL 883 N Iron	2014-2015	BLM5119-1F	
XL 1200 Classic	1996-2003	BLM5107-1F	BLM5106-2R
XL 1200 Custom	1996-2003	BLM5108-1F	BLM5106-2R

FRONT

REAR

BRAKE LINES



HARLEY-DAVIDSON®



		OE Replacement Brake Lines (Front)	OE Replacement Brake Lines (Rear)
XL 1200 R	2004-2011	BLM5109-3F	BLM5105-2R
XL 1200 Sport	1996-2003	BLM5110-3F	BLM5106-2R
XL 1200 Sportster	1988-2003	BLM5111-1F	BLM5106-2R
XL 1200C	2004-2013	BLM5112-1F	BLM5105-2R
XL 1200C/XL 1200CP	2012-2013	BLM5113-1F	BLM5105-2R
XL 1200 CP	2012	BLM5114-1F	BLM5105-2R
XL 1200 L Low	2007-2011	BLM5115-1F	BLM5105-2R
XL 1200 N Nightster	2008-2012	BLM5112-1F	BLM5105-2R
XL 1200 V Seventy Two	2012-2015	BLM5117-1F	
XL 1200 X Forty Eight	2012-2013	BLM5118-1F	BLM5105-2R
XL 1200 X Forty Eight	2014-2015	BLM5119-1F	
TOURING			
FLHR Road King	2008	BLM5008-4F	
FLHR	2014-2015	BLM5009-3F	
FLHR/FLHR-I Road King	1994-2007	BLM5010-3F	
FLHR/FLHRC	2008	BLM5011-1F	
FLHRC Road King Classic	1999-2007	BLM5010-3F	
FLHRS/FLHRSI Road King	2004-2007	BLM5013-3F	
FLHT/FLHTC/FLHTCU Electra Glide	1996-2007	BLM5014-3F	
FLHT/FLHTC/FLHTCU/FLHX	2008	BLM5015-4F	
FLHX Street Glide	2006-2007	BLM5014-3F	
FLHX	2014-2015	BLM5009-3F	
FLTR Road Glide ABS	2008-2013	BLM5042-4F	
FLTR/FLTR-I Road Glide	1998-2007	BLM5010-3F	
FLTRX/FLTRXS ABS	2015	BLM5044-1F	
FLTRX/FLTRXS	2015	BLM5045-3F	
V-ROD			
VRCSAW V-Rod	2008-2010	BLM5096-3F	
VRCSA/VRSCX V-Rod	2006-2008	BLM5097-3F	
VRCSA/VRSCX V-Rod	2004-2005	BLM5098-3F	
VRSCA V-Rod	2001-2005	BLM5099-3F	
VRSCA V-Rod	2006-2007	BLM5096-3F	
VRSCDX	2012	BLM5101-3F	
VRSCDX 10 Year Anniversary	2012-2013	BLM5097-3F	
VRSCDX Night Rod	2008-2011	BLM5097-3F	
VRSCF V-Rod Muscle	2009-2013	BLM5104-3F	

FRONT

REAR

EBC BRAKES CLUTCH KITS



CK/CKF SERIES CLUTCH KITS

These kits are a full engine set, measured to re-set the original "stack" height of the clutch. The plates are a moulded OEM style fiber bonded onto a steel backing. See your owners manual on oil type and install instructions to avoid clutch burn up or slippage.

The upgraded CKF range are again a full OEM size replacement friction plate only clutch pack but use a higher heat resistant carbon fiber impregnated facing. Smear plates with drive case oil before install.

SRC/SRK SERIES CLUTCH KITS

The SRC series clutch kits include an aramid fibre lined facing for better heat and wear resistance. Plates should be smeared with drive case oil before install.

The SRK kits include a full set of friction plates lined with a carbon fiber based facing for even higher heat specs and also include new steel separator plates and a set of uprated springs hence a complete rebuild kit. Smear plates with drive case oil before install.



CSK SERIES CLUTCH SPRING KITS

CSK sets include either coiled springs or diaphragm springs where appropriate. Coil springs are spiral wound with 4 to 8 pieces per set, made from heat treated high carbon steel delivering the right tension for your bike. Diaphragm springs are dish shaped flat steel pressure rings.



CT CLUTCH REMOVAL TOOLS

Made in the UK, these laser cut clutch removal tools make clutch removal, loosening of the drive shaft bolts and re-tightening a breeze, without any fear of damage to your expensive clutch basket.

Tools can be extended to create more leverage if required with any simple workshop tool or tube. EBC Brakes produce a clutch tool for almost every clutch plate design known.

CAUTION: replacing a clutch kit requires skill, expertise and a good workshop, plus tools. A small press and a spring compressor may be needed. If you are not familiar with these routines, use a competent dealer or visit www.fixmyhog.com as an example of how to guide you safely.

EBC BRAKES CLUTCH KITS



HARLEY-DAVIDSON®



		CK Series Moulded OEM style facings #	CSK Spring Kit #	SRC Series Kit #	SRK Series Kit #	CT Tool #
DYNA						
FLD 103 Switchback	2012-2016	CK7008	CSK916	SRC7012	SRK7012	CT703SP
FLD Dyna Switchback	2012-2021	CK7008	CSK916	SRC7013	SRK7013	CT703SP
FXB Super Glide B80	1981-1982	CK7012	CSK255	SRC7018	SRK7018	CT704SP
FXD Super Glide	1995-1997	CK7009	CSK920	SRC7019	SRK7019	CT701SP
FXD Super Glide	1998-2003	CK7008	CSK917	SRC7011	SRK7011	CT703SP
FXD Super Glide	2004-2005	CK7008	CSK916	SRC7012	SRK7012	CT703SP
FXD Super Glide	2007-2010	CK7008	CSK915	SRC7013	SRK7013	CT703SP
FXD35 35th Anniversary Super Glide	2006	CK7008	CSK915	SRC7013	SRK7013	CT703SP
FXDB 103 Street Bob	2014-2017	CK7008	CSK916	SRC7012	SRK7012	CT703SP
FXDB Daytona	1992	CK7009	CSK920	SRC7019	SRK7019	CT701SP
FXDB Street Bob	2007-2017	CK7008	CSK915	SRC7013	SRK7013	CT703SP
FXDB Sturgis	1991	CK7009	CSK920	SRC7019	SRK7019	CT701SP
FXDBA 103 Street Bob	2013-2015	CK7008	CSK916	SRC7012	SRK7012	CT703SP
FXDBA Street Bob	2013-2015	CK7008	CSK915	SRC7013	SRK7013	CT703SP
FXDBC 103 Street Bob	2016	CK7008	CSK916	SRC7012	SRK7012	CT703SP
FXDBC Street Bob	2016	CK7008	CSK915	SRC7013	SRK7013	CT703SP
FXDBI Street Bob	2006	CK7008	CSK915	SRC7013	SRK7013	CT703SP
FXDBP 103 Street Bob	2016	CK7008	CSK916	SRC7012	SRK7012	CT703SP
FXDC 103 Super Glide Custom	2014	CK7008	CSK916	SRC7012	SRK7012	CT703SP
FXDC Super Glide Custom	1992	CK7009	CSK920	SRC7019	SRK7019	CT701SP
FXDC Super Glide Custom	2005	CK7008	CSK916	SRC7012	SRK7012	CT703SP
FXDC Super Glide Custom	2007-2014	CK7008	CSK915	SRC7013	SRK7013	CT703SP
FXDCANV Super Glide Custom Anniversary	2013	CK7008	CSK915	SRC7013	SRK7013	CT703SP
FXDCI Super Glide Custom	2005-2006	CK7008	CSK915	SRC7013	SRK7013	CT703SP
FXDF 103 Fat Bob	2012-2017	CK7008	CSK916	SRC7012	SRK7012	CT703SP
FXDF Fat Bob	2008-2017	CK7008	CSK915	SRC7013	SRK7013	CT703SP
FXDG Glide Custom	1983	CK7012	CSK255	SRC7018	SRK7018	CT704SP
FXDI Super Glide	2004-2006	CK7008	CSK915	SRC7013	SRK7013	CT703SP
FXDL 103 Low Rider	2014-2017	CK7008	CSK916	SRC7012	SRK7012	CT703SP
FXDL Dyna Low Rider	2018-2021	CK7008	CSK915	SRC7013	SRK7013	CT703SP
FXDL Low Rider	1993-1997	CK7009	CSK920	SRC7019	SRK7019	CT701SP
FXDL Low Rider	1998-2003	CK7008	CSK917	SRC7011	SRK7011	CT703SP
FXDL Low Rider	2004-2005	CK7008	CSK916	SRC7012	SRK7012	CT703SP
FXDL Low Rider	2006-2017	CK7008	CSK915	SRC7013	SRK7013	CT703SP
FXDLI Low Rider	2004-2005	CK7008	CSK916	SRC7012	SRK7012	CT703SP
FXDLS Low Rider S	2016-2017	CK7008	CSK914	SRC7009	SRK7009	CT703SP
FXDLS Low Rider S	2018-2021	CK7008	CSK914	SRC7009	SRK7009	CT703SP
FXDSCONV Glide Convertible	1993	CK7009	CSK920	SRC7019	SRK7019	CT701SP
FXDSCONV Glide Convertible	1999-2000	CK7008	CSK917	SRC7011	SRK7011	CT703SP
FXDWG 103 Wide Glide	2013-2017	CK7008	CSK916	SRC7012	SRK7012	CT703SP
FXDWG Wide Glide	1993-1997	CK7009	CSK920	SRC7019	SRK7019	CT701SP
FXDWG Wide Glide	1998-2005	CK7008	CSK917	SRC7011	SRK7011	CT703SP
FXDWG Wide Glide	2007-2016	CK7008	CSK915	SRC7013	SRK7013	CT703SP
FXDWGANV Wide Glide 105th Anniversary	2008	CK7008	CSK915	SRC7013	SRK7013	CT703SP
FXDWGI Wide Glide	2004-2006	CK7008	CSK916	SRC7012	SRK7012	CT703SP
FXDX Super Glide Sport	1999-2003	CK7008	CSK917	SRC7011	SRK7011	CT703SP
FXDX Super Glide Sport	2004-2005	CK7008	CSK916	SRC7012	SRK7012	CT703SP
FXDXT Super Glide T-Sport	2001-2003	CK7008	CSK917	SRC7011	SRK7011	CT703SP
FXE Super Glide	1981-1984	CK7012	CSK255	SRC7018	SRK7018	CT704SP
FXE Super Glide	1984	CK7010	CSK920	SRC7016	SRK7016	CT705SP
FXEF Super Glide Fat Bob	1981	CK7012	CSK255	SRC7018	SRK7018	CT704SP
FXEF Super Glide Fat Bob	1985	CK7010	CSK920	SRC7016	SRK7016	CT705SP
FXS 103 Blackline	2012-2013	CK7008	CSK916	SRC7012	SRK7012	CT703SP
FXS Blackline	2011-2013	CK7008	CSK915	SRC7013	SRK7013	CT703SP
FXSB 103 Softail Breakout	2013-2015	CK7008	CSK916	SRC7012	SRK7012	CT703SP
FXWG Wide Glide	1981-1984	CK7012	CSK255	SRC7018	SRK7018	CT704SP

EBC BRAKES CLUTCH KITS



HARLEY-DAVIDSON®



		CK Series Moulded OEM style facings #	CSK Spring Kit #	SRC Series Kit #	SRK Series Kit #	CT Tool #
FXWG Wide Glide	1984-1986	CK7010	CSK920	SRC7016	SRK7016	CT705SP
SOFTAIL						
FLFB Fat Boy	2019-2021	CK7007	CSK236	SRC7013	SRK7013	CT703SP
FLFBS Fat Boy 114	2018	CK7007	CSK236	SRC7008	SRK7008	CT708SP
FLFBS Fat Boy 114	2019-2021	CK7007	CSK236	SRC7008	SRK7008	CT708SP
FLFBS Fat Boy 114 Anniversary	2018	CK7007	CSK236	SRC7008	SRK7008	CT708SP
FLFBS Fat Boy 114 Anniversary	2019-2021	CK7007	CSK236	SRC7008	SRK7008	CT708SP
FLHC Electra Glide Classic	1981-1982	CK7012	CSK255	SRC7018	SRK7018	CT704SP
FLHCS Heritage Classic 114	2018	CK7007	CSK236	SRC7008	SRK7008	CT708SP
FLHCS Heritage Classic 114	2019-2021	CK7007	CSK236	SRC7008	SRK7008	CT708SP
FLHCS Heritage Classic 114 Anniversary	2018-2021	CK7007	CSK236	SRC7008	SRK7008	CT708SP
FLS 103 Slim	2013-2015	CK7008	CSK916	SRC7012	SRK7012	CT703SP
FLS 103 Slim	2012	CK7008	CSK916	SRC7012	SRK7012	CT703SP
FLS Slim	2012-2015	CK7008	CSK915	SRC7013	SRK7013	CT703SP
FLS Slim	2016-2017	CK7008	CSK916	SRC7012	SRK7012	CT703SP
FLS Softtail Slim	2016-2021	CK7008	CSK916	SRC7012	SRK7012	CT703SP
FLSS Slim S	2016-2017	CK7002	CSK235	SRC7003	SRK7003	CT702SP
FLSS Slim S	2018-2021	CK7002	CSK235	SRC7003	SRK7003	CT702SP
FLST Heritage	1986-1990	CK7010	CSK920	SRC7016	SRK7016	CT705SP
FLST Heritage	2006	CK7008	CSK915	SRC7013	SRK7013	CT703SP
FLST Heritage	2008-2009	CK7008	CSK915	SRC7013	SRK7013	CT703SP
FLSTC 103 Heritage Classic	2012-2015	CK7008	CSK916	SRC7012	SRK7012	CT703SP
FLSTC Heritage Classic	1987-1989	CK7010	CSK920	SRC7016	SRK7016	CT705SP
FLSTC Heritage Classic	1990-1997	CK7009	CSK920	SRC7019	SRK7019	CT701SP
FLSTC Heritage Classic	1998-2003	CK7008	CSK917	SRC7011	SRK7011	CT703SP
FLSTC Heritage Classic	2004-2005	CK7008	CSK916	SRC7012	SRK7012	CT703SP
FLSTC Heritage Classic	2006-2015	CK7008	CSK915	SRC7013	SRK7013	CT703SP
FLSTC Heritage Classic	2016-2017	CK7008	CSK916	SRC7012	SRK7012	CT703SP
FLSTC103ANV Heritage Classic Anniversary	2013	CK7008	CSK916	SRC7012	SRK7012	CT703SP
FLSTCANV Heritage Classic Anniversary	2013	CK7008	CSK915	SRC7013	SRK7013	CT703SP
FLSTCI Heritage Classic	2001-2003	CK7008	CSK917	SRC7011	SRK7011	CT703SP
FLSTCI Heritage Classic	2004-2005	CK7008	CSK916	SRC7012	SRK7012	CT703SP
FLSTCI Heritage Classic	2006	CK7008	CSK915	SRC7013	SRK7013	CT703SP
FLSTCI Heritage Classic Shrine	2005	CK7008	CSK916	SRC7012	SRK7012	CT703SP
FLSTF 103 Fat Boy	2012-2015	CK7008	CSK916	SRC7012	SRK7012	CT703SP
FLSTF Fat Boy	1990-1997	CK7009	CSK920	SRC7019	SRK7019	CT701SP
FLSTF Fat Boy	1998-2003	CK7008	CSK917	SRC7011	SRK7011	CT703SP
FLSTF Fat Boy	2004-2005	CK7008	CSK916	SRC7012	SRK7012	CT703SP
FLSTF Fat Boy	2006-2015	CK7008	CSK915	SRC7013	SRK7013	CT703SP
FLSTF Fat Boy	2016-2017	CK7008	CSK916	SRC7012	SRK7012	CT703SP
FLSTFB 103 Fat Boy LO	2012-2015	CK7008	CSK916	SRC7012	SRK7012	CT703SP
FLSTFB Fat Boy LO	2010-2011	CK7008	CSK915	SRC7013	SRK7013	CT703SP
FLSTFB Fat Boy LO	2012-2015	CK7008	CSK916	SRC7012	SRK7012	CT703SP
FLSTFB Fat Boy LO	2016-2017	CK7008	CSK916	SRC7012	SRK7012	CT703SP
FLSTFB103ANV Fat Boy 103 LO Anniversary	2013	CK7008	CSK916	SRC7012	SRK7012	CT703SP
FLSTFBANV Fat Boy LO Anniversary	2013	CK7008	CSK915	SRC7013	SRK7013	CT703SP
FLSTFBS Fat Boy S	2016-2017	CK7002	CSK235	SRC7003	SRK7003	CT702SP
FLSTFI Fat Boy	2001-2003	CK7008	CSK917	SRC7011	SRK7011	CT703SP
FLSTFI Fat Boy	2004-2005	CK7008	CSK916	SRC7012	SRK7012	CT703SP
FLSTFI Fat Boy	2006	CK7008	CSK915	SRC7013	SRK7013	CT703SP
FLSTFI Fat Boy Shrine	2005-2006	CK7008	CSK916	SRC7012	SRK7012	CT703SP
FLSTN 103 Deluxe	2012-2013	CK7008	CSK916	SRC7012	SRK7012	CT703SP
FLSTN 103 Deluxe	2014-2015	CK7008	CSK916	SRC7012	SRK7012	CT703SP
FLSTN Deluxe	2005-2015	CK7008	CSK916	SRC7012	SRK7012	CT703SP
FLSTN Deluxe	2016-2017	CK7008	CSK916	SRC7012	SRK7012	CT703SP
FLSTN Heritage Nostalgia	1993-1996	CK7009	CSK920	SRC7019	SRK7019	CT701SP

EBC BRAKES CLUTCH KITS



HARLEY-DAVIDSON®



		CK Series Moulded OEM style facings #	CSK Spring Kit #	SRC Series Kit #	SRK Series Kit #	CT Tool #
FLSTNI Deluxe	2006	CK7008	CSK915	SRC7013	SRK7013	CT703SP
FLSTNI Deluxe	2005	CK7008	CSK916	SRC7012	SRK7012	CT703SP
FLSTS Heritage Springer	1997	CK7009	CSK920	SRC7019	SRK7019	CT701SP
FLSTS Heritage Springer	1998-2003	CK7008	CSK917	SRC7011	SRK7011	CT703SP
FLSTSB Cross Bones	2008-2009	CK7008	CSK915	SRC7013	SRK7013	CT703SP
FLSTSB Cross Bones	2010-2011	CK7008	CSK915	SRC7013	SRK7013	CT703SP
FLSTSC Springer Classic	2006-2007	CK7008	CSK915	SRC7013	SRK7013	CT703SP
FLSTSC Springer Classic	2005	CK7008	CSK916	SRC7012	SRK7012	CT703SP
FLSTSI Heritage Springer	2001-2003	CK7008	CSK917	SRC7011	SRK7011	CT703SP
FXBRS Breakout 114	2018	CK7007	CSK236	SRC7008	SRK7008	CT708SP
FXBRS Breakout 114 Anniversary	2018	CK7007	CSK236	SRC7008	SRK7008	CT708SP
FXCW Rocker	2008-2009	CK7008	CSK915	SRC7013	SRK7013	CT703SP
FXCWC Rocker C	2008-2011	CK7008	CSK915	SRC7013	SRK7013	CT703SP
FXFBS Fat Bob 114	2018	CK7007	CSK236	SRC7008	SRK7008	CT708SP
FXFBS Fat Bob 114	2019-2021	CK7007	CSK236	SRC7008	SRK7008	CT708SP
FXS 103 Blackline	2012-2013	CK7008	CSK916	SRC7012	SRK7012	CT703SP
FXS Blackline	2011	CK7008	CSK915	SRC7013	SRK7013	CT703SP
FXS Blackline	2012	CK7008	CSK916	SRC7012	SRK7012	CT703SP
FXS Blackline	2013	CK7008	CSK915	SRC7013	SRK7013	CT703SP
FXS Super Glide	1981-1982	CK7012	CSK255	SRC7018	SRK7018	CT704SP
FXSB 103 Breakout	2013-2015	CK7008	CSK916	SRC7012	SRK7012	CT703SP
FXSB Breakout	2013-2017	CK7008	CSK915	SRC7013	SRK7013	CT703SP
FXSB Low Rider	1983-1985	CK7012	CSK255	SRC7018	SRK7018	CT704SP
FXST Standard	1984-1990	CK7010	CSK920	SRC7016	SRK7016	CT705SP
FXST Standard	1999-2003	CK7008	CSK917	SRC7011	SRK7011	CT703SP
FXST Standard	2004-2006	CK7008	CSK916	SRC7012	SRK7012	CT703SP
FXST Standard	2007-2011	CK7008	CSK915	SRC7013	SRK7013	CT703SP
FXST Standard	2012-2015	CK7008	CSK916	SRC7012	SRK7012	CT703SP
FXST Standard	1984	CK7012	CSK255	SRC7018	SRK7018	CT704SP
FXSTB Night Train	1999-2003	CK7008	CSK917	SRC7011	SRK7011	CT703SP
FXSTB Night Train	2004-2005	CK7008	CSK916	SRC7012	SRK7012	CT703SP
FXSTB Night Train	2006-2009	CK7008	CSK915	SRC7013	SRK7013	CT703SP
FXSTBI Night Train	2001-2003	CK7008	CSK917	SRC7011	SRK7011	CT703SP
FXSTBI Night Train	2004-2005	CK7008	CSK916	SRC7012	SRK7012	CT703SP
FXSTBI Night Train	2006	CK7008	CSK915	SRC7013	SRK7013	CT703SP
FXSTC Custom	1986-1989	CK7010	CSK920	SRC7016	SRK7016	CT705SP
FXSTC Custom	1990-1997	CK7009	CSK920	SRC7019	SRK7019	CT701SP
FXSTC Custom	1998-1999	CK7008	CSK917	SRC7011	SRK7011	CT703SP
FXSTC Custom	2007-2010	CK7008	CSK915	SRC7013	SRK7013	CT703SP
FXSTD Deuce	2000-2003	CK7008	CSK917	SRC7011	SRK7011	CT703SP
FXSTD Deuce	2004-2005	CK7008	CSK916	SRC7012	SRK7012	CT703SP
FXSTD Deuce	2006-2007	CK7008	CSK915	SRC7013	SRK7013	CT703SP
FXSTDI Deuce	2001-2003	CK7008	CSK917	SRC7011	SRK7011	CT703SP
FXSTDI Deuce	2004-2005	CK7008	CSK916	SRC7012	SRK7012	CT703SP
FXSTDI Deuce	2006	CK7008	CSK915	SRC7013	SRK7013	CT703SP
FXSTI Standard	2001-2003	CK7008	CSK917	SRC7011	SRK7011	CT703SP
FXSTI Standard	2004-2005	CK7008	CSK916	SRC7012	SRK7012	CT703SP
FXSTI Standard	2006	CK7008	CSK915	SRC7013	SRK7013	CT703SP
FXSTS Springer	1988-1989	CK7010	CSK920	SRC7016	SRK7016	CT705SP
FXSTS Springer	1990-1997	CK7009	CSK920	SRC7019	SRK7019	CT701SP
FXSTS Springer	1998-2003	CK7008	CSK917	SRC7011	SRK7011	CT703SP
FXSTS Springer	2004-2005	CK7008	CSK916	SRC7012	SRK7012	CT703SP
FXSTS Springer	2006	CK7008	CSK915	SRC7013	SRK7013	CT703SP
FXSTSI Springer	2001-2003	CK7008	CSK917	SRC7011	SRK7011	CT703SP
FXSTSI Springer	2004-2005	CK7008	CSK916	SRC7012	SRK7012	CT703SP
FXSTSI Springer	2006	CK7008	CSK915	SRC7013	SRK7013	CT703SP

EBC BRAKES CLUTCH KITS



HARLEY-DAVIDSON®



		CK Series Moulded OEM style facings #	CSK Spring Kit #	SRC Series Kit #	SRK Series Kit #	CT Tool #
SPORTSTER						
50th Anniversary	2007	CK7009	CSK919	SRC7020	SRK7020	CT701SP
Sportster	2008-2010	CK7013	CSK913	SRC7022	SRK7022	CT701SP
T SuperLow	2019-2021	CK7009	CSK919	SRC7020	SRK7020	CT701SP
X	2010-2013	CK7013	CSK913	SRC7022	SRK7022	CT701SP
XL 1200 C Custom	2019-2021	CK7009	CSK919	SRC7020	SRK7020	CT701SP
XL 1200 CA Custom Limited B	2013-2017	CK7009	CSK919	SRC7020	SRK7020	CT701SP
XL 1200 CP Custom H-D1	2011-2021	CK7009	CSK919	SRC7020	SRK7020	CT701SP
XL 1200 CX Roadster	2019-2021	CK7009	CSK919	SRC7020	SRK7020	CT701SP
XL 1200 Forty Eight Anniversary	2018	CK7009	CSK919	SRC7020	SRK7020	CT701SP
XL 883 Iron	2019-2021	CK7009	CSK918	SRC7021	SRK7021	CT701SP
XL 883L Super Low	2019-2021	CK7009	CSK918	SRC7021	SRK7021	CT701SP
XL1200	1991-2003	CK7009	CSK920	SRC7023	SRK7023	CT701SP
XL1200 Forty Eight Anniversary	2018	CK7009	CSK919	SRC7020	SRK7020	CT701SP
XL1200C Custom	1996-2003	CK7009	CSK920	SRC7023	SRK7023	CT701SP
XL1200C Custom	2004-2016	CK7009	CSK919	SRC7020	SRK7020	CT701SP
XL1200C Custom	2017-2018	CK7009	CSK919	SRC7020	SRK7020	CT701SP
XL1200CA Custom	2013-2016	CK7009	CSK919	SRC7020	SRK7020	CT701SP
XL1200CANV	2013	CK7009	CSK919	SRC7020	SRK7020	CT701SP
XL1200CB Custom	2011-2016	CK7009	CSK919	SRC7020	SRK7020	CT701SP
XL1200CB Custom	2013-2017	CK7009	CSK919	SRC7020	SRK7020	CT701SP
XL1200CX Roadster	2016-2018	CK7009	CSK919	SRC7020	SRK7020	CT701SP
XL1200L Low	2006-2011	CK7009	CSK919	SRC7020	SRK7020	CT701SP
XL1200N Nightster	2007-2012	CK7009	CSK919	SRC7020	SRK7020	CT701SP
XL1200R Roadster	2004-2009	CK7009	CSK919	SRC7020	SRK7020	CT701SP
XL1200S Sport	1996-2003	CK7009	CSK920	SRC7023	SRK7023	CT701SP
XL1200T SuperLow	2014-2017	CK7009	CSK919	SRC7020	SRK7020	CT701SP
XL1200T SuperLow	2018	CK7009	CSK919	SRC7020	SRK7020	CT701SP
XL1200V Seventy-Two	2012-2016	CK7009	CSK919	SRC7020	SRK7020	CT701SP
XL1200X Forty Eight	2010-2018	CK7009	CSK919	SRC7020	SRK7020	CT701SP
XL50 50th Anniversary	2007	CK7009	CSK919	SRC7020	SRK7020	CT701SP
XL883	1986-1990	CK7014	CSK921	SRC7024	SRK7024	CT709SP
XL883	1991-2003	CK7009	CSK920	SRC7023	SRK7023	CT701SP
XL883	2004-2009	CK7009	CSK918	SRC7021	SRK7021	CT701SP
XL883C Custom	1998-2003	CK7009	CSK920	SRC7023	SRK7023	CT701SP
XL883C Custom	2004-2010	CK7009	CSK918	SRC7021	SRK7021	CT701SP
XL883DLX Deluxe	1986-1990	CK7014	CSK921	SRC7024	SRK7024	CT709SP
XL883DLX Deluxe	1991-1995	CK7009	CSK920	SRC7023	SRK7023	CT701SP
XL883HUG Hugger	1987-1990	CK7014	CSK921	SRC7024	SRK7024	CT709SP
XL883HUG Hugger	1991-2003	CK7009	CSK920	SRC7023	SRK7023	CT701SP
XL883L Low	2005-2011	CK7009	CSK918	SRC7021	SRK7021	CT701SP
XL883L SuperLow	2012-2018	CK7009	CSK918	SRC7021	SRK7021	CT701SP
XL883N Iron	2009-2018	CK7009	CSK918	SRC7021	SRK7021	CT701SP
XL883R	2002-2006	CK7009	CSK920	SRC7023	SRK7023	CT701SP
XL883R	2007-2010	CK7009	CSK918	SRC7021	SRK7021	CT701SP
XL883R Roadster	2011-2015	CK7009	CSK918	SRC7021	SRK7021	CT701SP
XLCH1000	1970	CK7016				
XLCH1000	1971-1980	CK7015	CSK257	SRC7025	SRK7025	
XLH 1000	1981-1984	CK7015	CSK257	SRC7025	SRK7025	CT709SP
XLH 1000	1984	CK7014	CSK921	SRC7024	SRK7024	CT709SP
XLH1000 Standard	1970	CK7016				
XLH1000 Standard	1971-1978	CK7015	CSK257	SRC7025	SRK7025	CT709SP
XLH1100	1986-1990	CK7014	CSK921	SRC7024	SRK7024	CT709SP
XLHC 1000	1979-1980	CK7015	CSK257	SRC7025	SRK7025	CT709SP
XLS1000 Roadster	1981-1984	CK7015	CSK257	SRC7025	SRK7025	CT709SP
XLS1000 Roadster	1984	CK7014	CSK921	SRC7024	SRK7024	CT709SP
XR1000	1983	CK7015	CSK257	SRC7025	SRK7025	CT709SP

EBC BRAKES CLUTCH KITS



HARLEY-DAVIDSON®



		CK Series Moulded OEM style facings #	CSK Spring Kit #	SRC Series Kit #	SRK Series Kit #	CT Tool #
XR1000	1984	CK7014	CSK921	SRC7024	SRK7024	CT709SP
XR1000	1984	CK7015	CSK257	SRC7025	SRK7025	CT709SP
XR1200	2008-2010	CK7013	CSK913	SRC7022	SRK7022	
XR1200X	2010-2013	CK7013	CSK913	SRC7022	SRK7022	
STREET						
XG500	2015-2021	CK7004	CSK230	SRC7005	SRK7005	
XG750	2015-2021	CK7004	CSK229			
TOURING						
FLH Electra Glide	1981-1983	CK7012	CSK255	SRC7018	SRK7018	CT704SP
FLH Electra Glide	1984	CK7011	CSK255	SRC7017	SRK7017	CT704SP
FLH Electra Glide Shrine Shovelhead	1983	CK7012	CSK255	SRC7018	SRK7018	CT704SP
FLH Electra Glide Shrine Shovelhead	1984	CK7011	CSK255	SRC7017	SRK7017	CT704SP
FLHP Road King Police	2011-2016	CK7008	CSK914	SRC7009	SRK7009	CT703SP
FLHP Road King Police	2017	CK7007	CSK236	SRC7008	SRK7008	CT708SP
FLHPE Road King Police	2011	CK7008	CSK914	SRC7009	SRK7009	CT703SP
FLHR 103 Road King	2011	CK7008	CSK916	SRC7012	SRK7012	CT703SP
FLHR 96 Road King	2011	CK7008	CSK915	SRC7013	SRK7013	CT703SP
FLHR Road King	2020	CK7002	CSK236	SRC7010	SRK7010	CT702SP
FLHR Road King	1993-1997	CK7009		SRC7014	SRK7014	CT701SP
FLHR Road King	1998-2003	CK7008	CSK917	SRC7011	SRK7011	CT703SP
FLHR Road King	2004-2005	CK7008	CSK916	SRC7012	SRK7012	CT703SP
FLHR Road King	2006-2011	CK7008	CSK915	SRC7013	SRK7013	CT703SP
FLHR Road King	2012-2013	CK7008	CSK916	SRC7012	SRK7012	CT703SP
FLHR Road King	2015-2016	CK7008	CSK917	SRC7011	SRK7011	CT703SP
FLHR Road King	2017-2021	CK7008	CSK917	SRC7011	SRK7011	CT703SP
FLHRANV Road King Anniversary	2013	CK7008	CSK916	SRC7012	SRK7012	CT703SP
FLHRC 103 Road King Classic	2011	CK7008	CSK916	SRC7012	SRK7012	CT703SP
FLHRC Road King Classic	2007-2011	CK7008	CSK915	SRC7013	SRK7013	CT703SP
FLHRC Road King Classic	2012-2013	CK7008	CSK916	SRC7012	SRK7012	CT703SP
FLHRC Road King Classic	2014-2016	CK7008	CSK917	SRC7011	SRK7011	CT703SP
FLHRC Road King Classic	2017	CK7002	CSK236	SRC7010	SRK7010	CT702SP
FLHRC Road King Classic	2018-2021	CK7002	CSK236	SRC7010	SRK7010	CT702SP
FLHRCI Road King Classic	1998-2003	CK7008	CSK917	SRC7011	SRK7011	CT703SP
FLHRCI Road King Classic	2005	CK7008	CSK916	SRC7012	SRK7012	CT703SP
FLHRCI Road King Classic	2006	CK7008	CSK915	SRC7013	SRK7013	CT703SP
FLHRCI Road King Classic	2004	CK7008	CSK916	SRC7012	SRK7012	CT703SP
FLHRI Road King	2000-2003	CK7008	CSK917	SRC7011	SRK7011	CT703SP
FLHRI Road King	2004-2005	CK7008	CSK916	SRC7012	SRK7012	CT703SP
FLHRI Road King	2006	CK7008	CSK915	SRC7013	SRK7013	CT703SP
FLHRS Road King Custom	2004-2005	CK7008	CSK916	SRC7012	SRK7012	CT703SP
FLHRS Road King Custom	2006-2007	CK7008	CSK915	SRC7013	SRK7013	CT703SP
FLHRSI 1FYW Road King Custom	2004-2005	CK7008	CSK916	SRC7012	SRK7012	CT703SP
FLHRSI 1FYW Road King Custom	2006	CK7008	CSK915	SRC7013	SRK7013	CT703SP
FLHRXS Road King Special	2018	CK7002	CSK236	SRC7010	SRK7010	CT702SP
FLHRXS Road King Special	2019-2021	CK7002	CSK236	SRC7010	SRK7010	CT702SP
FLHS Electra Glide Heritage	1981	CK7012	CSK255	SRC7018	SRK7018	CT704SP
FLHS Electra Glide Sport	1981-1983	CK7012	CSK255	SRC7018	SRK7018	CT704SP
FLHS Electra Glide Sport	1984	CK7011	CSK255	SRC7017	SRK7017	CT704SP
FLHS Electra Glide Sport	1984-1989	CK7010	CSK920	SRC7016	SRK7016	CT705SP
FLHS Electra Glide Sport	1991-1994	CK7009		SRC7014	SRK7014	CT701SP
FLHS Touring Electra Glide Sport	1990	CK7009		SRC7015	SRK7015	CT701SP
FLHT Electra Glide	1984	CK7011	CSK255	SRC7017	SRK7017	CT704SP
FLHT Electra Glide	1984	CK7010	CSK920	SRC7016	SRK7016	CT705SP
FLHT Electra Glide - Early 1984	1984	CK7011	CSK255	SRC7017	SRK7017	CT704SP
FLHT Electra Glide - Later 1984	1984	CK7010	CSK920	SRC7016	SRK7016	CT705SP

EBC BRAKES CLUTCH KITS



HARLEY-DAVIDSON®



		CK Series Moulded OEM style facings #	CSK Spring Kit #	SRC Series Kit #	SRK Series Kit #	CT Tool #
FLHT Electra Glide Classic	1983	CK7012	CSK255	SRC7018	SRK7018	CT704SP
FLHT Electra Glide Classic	1984	CK7011	CSK255	SRC7017	SRK7017	
FLHT Electra Glide Classic	1984	CK7010	CSK920	SRC7016	SRK7016	
FLHT Electra Glide Classic - Early 1984	1984	CK7011	CSK255	SRC7017	SRK7017	CT704SP
FLHT Electra Glide Classic - Later 1984	1984	CK7010	CSK920	SRC7016	SRK7016	CT705SP
FLHT Electra Glide Shrine Shovelhead	1984	CK7010	CSK920	SRC7016	SRK7016	CT705SP
FLHT Electra Glide Standard	1983	CK7012	CSK255	SRC7018	SRK7018	CT704SP
FLHT Electra Glide Standard	1988	CK7010	CSK920	SRC7016	SRK7016	CT705SP
FLHT Electra Glide Standard	1994-1997	CK7009		SRC7014	SRK7014	CT701SP
FLHT Electra Glide Standard	1998-2003	CK7008	CSK917	SRC7011	SRK7011	CT703SP
FLHT Electra Glide Standard	2004-2005	CK7008	CSK916	SRC7012	SRK7012	CT703SP
FLHT Electra Glide Standard	2006-2010	CK7008	CSK915	SRC7013	SRK7013	CT703SP
FLHT Electra Glide	1983	CK7012	CSK255	SRC7018	SRK7018	CT704SP
FLHTC 103 Electra Glide Classic	2011	CK7008	CSK916	SRC7012	SRK7012	CT703SP
FLHTC Electra Glide Classic	1983-1984	CK7012	CSK255	SRC7018	SRK7018	CT704SP
FLHTC Electra Glide Classic	1985-1989	CK7010	CSK920	SRC7016	SRK7016	CT705SP
FLHTC Electra Glide Classic	1991-1997	CK7009		SRC7014	SRK7014	CT701SP
FLHTC Electra Glide Classic	1998-2003	CK7008	CSK917	SRC7011	SRK7011	CT703SP
FLHTC Electra Glide Classic	2004-2005	CK7008	CSK916	SRC7012	SRK7012	CT703SP
FLHTC Electra Glide Classic	2007-2011	CK7008	CSK915	SRC7013	SRK7013	CT703SP
FLHTC Electra Glide Classic	2012-2013	CK7008	CSK916	SRC7012	SRK7012	CT703SP
FLHTC Touring Electra Glide Classic	1990					CT701SP
FLHTCI Electra Glide Classic	1996-1997	CK7009		SRC7014	SRK7014	CT701SP
FLHTCI Electra Glide Classic	1998-2003	CK7008	CSK917	SRC7011	SRK7011	CT703SP
FLHTCI Electra Glide Classic	2004-2005	CK7008	CSK916	SRC7012	SRK7012	CT703SP
FLHTCI Electra Glide Classic	2006	CK7008	CSK915	SRC7013	SRK7013	CT703SP
FLHTCI Ultra Classic	2005	CK7008	CSK916	SRC7012	SRK7012	CT703SP
FLHTCU 103 Ultra Classic	2011	CK7008	CSK916	SRC7012	SRK7012	CT703SP
FLHTCU Electra Glide Classic Ultra	1989	CK7010	CSK920	SRC7016	SRK7016	CT705SP
FLHTCU Electra Glide Classic Ultra	2019-2021	CK7002	CSK236	SRC7010	SRK7010	CT702SP
FLHTCU Electra Glide Ultra Classic	2017	CK7002	CSK236	SRC7010	SRK7010	CT702SP
FLHTCU Electra Glide Ultra Classic	2018	CK7002	CSK236	SRC7010	SRK7010	CT702SP
FLHTCU TC Ultra Classic Twin-Cooled	2014-2016	CK7008	CSK917	SRC7011	SRK7011	CT703SP
FLHTCU Touring Electra Glide Classic Ultra	1990	CK7009		SRC7015	SRK7015	CT701SP
FLHTCU Ultra Classic	1991-1997	CK7009		SRC7014	SRK7014	CT701SP
FLHTCU Ultra Classic	2007-2011	CK7008	CSK915	SRC7013	SRK7013	CT703SP
FLHTCU Ultra Classic	2012-2013	CK7008	CSK916	SRC7012	SRK7012	CT703SP
FLHTCU Ultra Classic	2014-2016	CK7008	CSK917	SRC7011	SRK7011	CT703SP
FLHTCU Ultra Classic	2017-2021	CK7008	CSK917	SRC7011	SRK7011	CT703SP
FLHTCUI Ultra Classic	1998-2003	CK7008	CSK917	SRC7011	SRK7011	CT703SP
FLHTCUI Ultra Classic	2004	CK7008	CSK916	SRC7012	SRK7012	CT703SP
FLHTCUI Ultra Classic	2006	CK7008	CSK915	SRC7013	SRK7013	CT703SP
FLHTCUL TC Ultra Classic Low Twin-Cooled	2015-2016	CK7002	CSK235	SRC7003	SRK7003	CT702SP
FLHTCUL TC Ultra Classic Low Twin-Cooled	2017-2021	CK7002	CSK235	SRC7003	SRK7003	CT702SP
FLHTCUL Ultra Classic Low	2015-2016	CK7002	CSK235	SRC7003	SRK7003	CT702SP
FLHTCUL Ultra Classic Low	2017-2021	CK7002	CSK235	SRC7003	SRK7003	CT702SP
FLHTI Electra Glide Standard	2003	CK7008	CSK917	SRC7011	SRK7011	CT703SP
FLHTI Electra Glide Standard	2004-2005	CK7008	CSK916	SRC7012	SRK7012	CT703SP
FLHTI Electra Glide Standard	2006	CK7008	CSK915	SRC7013	SRK7013	CT703SP
FLHTK 103 CVO Limited	2014	CK7002	CSK235	SRC7003	SRK7003	CT702SP
FLHTK Electra Glide Ultra Limited	2010-2013	CK7008	CSK916	SRC7012	SRK7012	CT703SP
FLHTK Ultra Limited	2014-2016	CK7008	CSK917	SRC7011	SRK7011	CT703SP
FLHTK Ultra Limited	2017-2018	CK7002	CSK236	SRC7010	SRK7010	CT702SP
FLHTK Ultra Limited	2019-2021	CK7002	CSK236	SRC7010	SRK7010	CT702SP
FLHTK Ultra Limited Anniversary	2018	CK7002	CSK236	SRC7010	SRK7010	CT702SP
FLHTK Ultra Limited Anniversary	2019-2021	CK7002	CSK236	SRC7010	SRK7010	CT702SP
FLHTK Ultra Limited Shrine Edition	2018	CK7002	CSK236	SRC7010	SRK7010	CT702SP

EBC BRAKES CLUTCH KITS



HARLEY-DAVIDSON®



		CK Series Moulded OEM style facings #	GSK Spring Kit #	SRC Series Kit #	SRK Series Kit #	CT Tool #
FLHTKANV Electra Glide Ultra Limited Anniversary	2013	CK7008	CSK916	SRC7012	SRK7012	CT703SP
FLHTKL Ultra Limited Low	2015-2018	CK7002	CSK235	SRC7003	SRK7003	CT702SP
FLHTKL Ultra Limited Low	2019-2021	CK7002	CSK235	SRC7003	SRK7003	CT702SP
FLHTP Electra Glide Standard Police	2011-2016	CK7008	CSK914	SRC7009	SRK7009	CT703SP
FLHTP Electra Glide Standard Police	2017	CK7007	CSK236	SRC7008	SRK7008	CT708SP
FLHX 103 Street Glide	2011	CK7008	CSK916	SRC7012	SRK7012	CT703SP
FLHX Street Glide	2012-2013	CK7008	CSK916	SRC7012	SRK7012	CT703SP
FLHX Street Glide	2014-2016	CK7008	CSK917	SRC7011	SRK7011	CT703SP
FLHX Street Glide	2017-2018	CK7002	CSK236	SRC7010	SRK7010	CT702SP
FLHX Street Glide Anniversary	2018	CK7002	CSK236	SRC7010	SRK7010	CT702SP
FLHX Street Glide Anniversary	2019-2021	CK7002	CSK236	SRC7010	SRK7010	CT702SP
FLHX Street Glide	2006-2011	CK7008	CSK915	SRC7013	SRK7013	CT703SP
FLHXS Street Glide Special	2014-2016	CK7008	CSK917	SRC7011	SRK7011	CT703SP
FLHXS Street Glide Special	2017-2018	CK7002	CSK236	SRC7010	SRK7010	CT702SP
FLHXS Street Glide Special	2019-2021	CK7002	CSK236	SRC7010	SRK7010	CT702SP
FLHXS Street Glide Special Anniversary	2018	CK7002	CSK236	SRC7010	SRK7010	CT702SP
FLT Classic Tour Glide Classic	1984	CK7011	CSK255	SRC7017	SRK7017	CT704SP
FLT Tour Glide	1981-1983	CK7012	CSK255	SRC7018	SRK7018	CT704SP
FLT Tour Glide	1984	CK7011	CSK255	SRC7017	SRK7017	CT704SP
FLT Tour Glide	1984	CK7010	CSK920	SRC7016	SRK7016	CT705SP
FLTC Tour Glide Classic	1980-1984	CK7012	CSK255	SRC7018	SRK7018	CT704SP
FLTC Tour Glide Classic	1985-1989	CK7010	CSK920	SRC7016	SRK7016	CT705SP
FLTC Tour Glide Classic	1990-1992	CK7009		SRC7014	SRK7014	CT701SP
FLTCU Tour Glide Classic Ultra	1989	CK7010	GSK920	SRC7016	SRK7016	CT705SP
FLTCU Tour Glide Ultra Classic	1990-1996	CK7009		SRC7014	SRK7014	CT701SP
FLTR Road Glide	1998-2003	CK7008	CSK917	SRC7011	SRK7011	CT703SP
FLTR Road Glide	2006-2009	CK7008	CSK915	SRC7013	SRK7013	CT703SP
FLTRI Road Glide	2004-2005	CK7008	CSK916	SRC7012	SRK7012	CT703SP
FLTRU Road Glide Ultra	2011-2013	CK7008	CSK916	SRC7012	SRK7012	CT703SP
FLTRU Road Glide Ultra	2016	CK7008	CSK917	SRC7011	SRK7011	CT703SP
FLTRU Road Glide Ultra	2017-2018	CK7002	CSK236	SRC7010	SRK7010	CT702SP
FLTRU Road Glide Ultra	2019-2021	CK7002	CSK236	SRC7010	SRK7010	CT702SP
FLTRX 103 Road Glide Custom	2010	CK7008	CSK915	SRC7013	SRK7013	CT703SP
FLTRX 103 Road Glide Custom	2011-2013	CK7008	CSK916	SRC7012	SRK7012	CT703SP
FLTRX Road Glide	2015-2016	CK7008	CSK917	SRC7011	SRK7011	CT703SP
FLTRX Road Glide	2017-2018	CK7002	CSK236	SRC7010	SRK7010	CT702SP
FLTRX Road Glide	2019-2021	CK7002	CSK236	SRC7010	SRK7010	CT702SP
FLTRXS Road Glide Special	2015-2016	CK7008	CSK917	SRC7011	SRK7011	CT703SP
FLTRXS Road Glide Special	2017-2018	CK7002	CSK236	SRC7010	SRK7010	CT702SP
FLTRXS Road Glide Special	2019-2021	CK7002	CSK236	SRC7010	SRK7010	CT702SP
TRIKE						
FLHTCUTG ANV Tri Glide Ultra Classic Anniversary	2013	CK7008	CSK914	SRC7009	SRK7009	CT703SP
FLHTCUTG Tri Glide Ultra	2017-2018	CK7007	CSK236	SRC7008	SRK7008	CT708SP
FLHTCUTG Tri Glide Ultra Anniversary	2018	CK7007	CSK236	SRC7008	SRK7008	CT708SP
FLHTCUTG Tri Glide Ultra Anniversary	2019-2021	CK7007	CSK236	SRC7008	SRK7008	CT708SP
FLHTCUTG Tri Glide Ultra Classic	2009-2013	CK7008	CSK914	SRC7009	SRK7009	CT703SP
FLHTCUTG Tri Glide Ultra Classic	2014-2016	CK7002	CSK235	SRC7003	SRK7003	CT702SP
FLHTCUTGANV Tri Glide Ultra Classic Anniversary	2013-2011	CK7008	CSK914	SRC7009	SRK7009	CT703SP
FLRT Freewheeler	2015-2016	CK7002	CSK235	SRC7003	SRK7003	CT702SP
FLRT Freewheeler	2017-2018	CK7007	CSK236	SRC7008	SRK7008	CT708SP
V-ROD						
VRSCA V-Rod	2002-2006	CK7006	CSK232	SRC7007	SRK7007	CT707SP
VRSCAW V-Rod	2009-2010	CK7005	CSK233	SRC7006	SRK7006	CT706SP
VRSCAW V-Rod Wide Tire	2007	CK7006	CSK232	SRC7007	SRK7007	CT707SP
VRSCAW V-Rod Wide Tire	2008	CK7005	CSK233	SRC7006	SRK7006	CT706SP

EBC BRAKES CLUTCH KITS



HARLEY-DAVIDSON®



		CK Series Moulded OEM style facings #	GSK Spring Kit #	SRC Series Kit #	SRK Series Kit #	CT Tool #
VRSCD Night Rod	2008	CK7005	CSK233	SRC7006	SRK7006	CT706SP
VRSCDA Night Rod	2008	CK7005	CSK233	SRC7006	SRK7006	CT706SP
VRSCDX ANV Night Rod Special Anv	2012	CK7005	CSK233	SRC7006	SRK7006	CT706SP
VRSCDX Night Rod Special	2008-2017	CK7005	CSK233	SRC7006	SRK7006	CT706SP
VRSCDX Night Rod Special	2018-2021	CK7005	CSK233	SRC7006	SRK7006	CT706SP
VRSCDXA Night Rod Special	2008	CK7005	CSK233	SRC7006	SRK7006	CT706SP
VRSCF Muscle 1HPH V-Rod	2018-2021	CK7005	CSK233	SRC7006	SRK7006	CT706SP
VRSCF V-Rod Muscle	2009-2017	CK7005	CSK233	SRC7006	SRK7006	CT706SP
VRSCR Street Rod	2006-2007	CK7006	CSK232	SRC7007	SRK7007	CT707SP
VRSCSE CVO V-Rod	2005-2006	CK7006	CSK232	SRC7007	SRK7007	CT707SP
VRSCX Screamin' Eagle V-Rod	2007	CK7006	CSK232	SRC7007	SRK7007	CT707SP
VRXSE CVO VR Destroyer	2006	CK7006	CSK232	SRC7007	SRK7007	CT707SP
INDIAN						
Chief	2014-2021	CK7003	CSK232	SRC7004	SRK7004	
Chief Classic	2014-2020	CK7003	CSK232	SRC7004	SRK7004	
Chief Dark Horse	2016-2020	CK7003	CSK232	SRC7004	SRK7004	
Chief Vintage	2014-2020	CK7003	CSK232	SRC7004	SRK7004	
Chieftain	2014-2018	CK7003	CSK232	SRC7004	SRK7004	
Chieftain	2019-2021	CK7003	CSK232	SRC7004	SRK7004	
Chieftain Dark Horse	2016-2020	CK7003	CSK232	SRC7004	SRK7004	
Chieftain Elite	2017-2020	CK7003	CSK232	SRC7004	SRK7004	
Chieftain Limited	2017-2018	CK7003	CSK232	SRC7004	SRK7004	
FTR 1200	2019-2021	CK7018				
FTR 1200	2019	CK7003	CSK232	SRC7004	SRK7004	
Octane	2017	CK7001	CSK231	SRC7001	SRK7001	
Roadmaster	2015	CK7003	CSK232	SRC7004	SRK7004	
Roadmaster	2016-2018	CK7003	CSK232	SRC7004	SRK7004	
Roadmaster	2015-2021	CK7001	CSK231	SRC7001	SRK7001	
Roadmaster Classic	2017-2020	CK7003	CSK232	SRC7004	SRK7004	
Scout	2015-2017	CK7001	CSK231	SRC7001	SRK7001	
Scout	2016	CK7001	CSK231	SRC7001	SRK7001	
Scout	2015	CK7003	CSK232	SRC7004	SRK7004	
Scout	2016	CK7001	CSK235	SRC7002	SRK7002	
Scout	2017	CK7001	CSK231	SRC7001	SRK7001	
Scout	2017	CK7001	CSK235	SRC7002	SRK7002	
Scout	2018-2020	CK7001	CSK235	SRC7002	SRK7002	
Scout	2019	CK7001	CSK235	SRC7002	SRK7002	
Scout	2020	CK7001	CSK235	SRC7002	SRK7002	
Scout	2021	CK7001	CSK235	SRC7002	SRK7002	
Scout 1200	2017-2020	CK7001	CSK235	SRC7002	SRK7002	
Scout Bobber	2018	CK7001	CSK235	SRC7002	SRK7002	
Scout Sixty	2016-2017	CK7001	CSK231	SRC7001	SRK7001	
Scout Sixty	2017	CK7001	CSK231	SRC7001	SRK7001	
Scout Sixty	2017-2020	CK7001	CSK235	SRC7002	SRK7002	
Springfield	2016	CK7001	CSK235	SRC7002	SRK7002	
Springfield	2017-2020	CK7003	CSK232	SRC7004	SRK7004	
Springfield	2018	CK7003	CSK232	SRC7004	SRK7004	
Springfield	2019	CK7003	CSK232	SRC7004	SRK7004	
Springfield	2020	CK7003	CSK232	SRC7004	SRK7004	
Springfield Dark Horse	2018	CK7003	CSK232	SRC7004	SRK7004	

BRAKE PADS AND ROTORS FOR POLARIS SLINGSHOT



EBC BRAKE STANDARD ORGANIC BRAKE PADS

A direct equivalent to the OE brake pads, suitable for every day driving. This is our quietest pad formulation for silent braking – progressive braking with excellent cold friction.



EBC BRAKE YELLOW CODED UPGRADE BRAKE PADS

For faster driving, these pads give excellent cold bite and high temperature fade resistance. Stopping distances are drastically reduced, progressive braking with unparalleled pedal feel.



EBC BRAKE ROTORS – OE QUALITY REPLACEMENT

EBC brake rotors are cast using high quality G3000 alloy making this a premium OE quality replacement brake rotor for your Slingshot. Black thermic coated for aesthetics and corrosion protection.



EBC BRAKE ROTORS – BSD BLADE SERIES

The unique BSD blade slot design removes hot gasses from the heart of the braking zone allowing for quicker and more effective dissipation of heat.

COMPLETE VEHICLE STANDARD BRAKE KIT

This money saving kit includes one set of standard organic brake pads for both the front and rear of your vehicle, plus two OE quality brake rotors for the front and one for the rear.

COMPLETE VEHICLE UPGRADE BRAKE KIT

This upgrade kit includes one set of yellow coded upgrade brake pads for both the front and rear of your vehicle, plus two BSD blade slotted brake rotors for the front and one for the rear.



Make	Model	FRONT			REAR				FULL VEHICLE			
		STANDARD BLACK BRAKE PADS (INC. 4 PADS FOR LEFT AND RIGHT FITMENTS)	UPGRADE YELLOW BRAKE PADS (INC. 4 PADS FOR LEFT AND RIGHT FITMENTS)	STANDARD ROTOR LEFT (GROUP)	STANDARD ROTOR RIGHT (GROUP)	BSD SPORT SLOTTED ROTOR KIT (2 PCS)	STANDARD BLACK BRAKE PADS (2 PCS)	UPGRADE YELLOW BRAKE PADS (2 PCS)	STANDARD ROTOR (GROUP)	BSD SPORT SLOTTED ROTOR	COMPLETE STANDARD BRAKE KIT (1 X FRONT PADS 1 X REAR PADS 2 X FRONT ROTORS 1 X REAR ROTOR)	COMPLETE UPGRADE BRAKE KIT (1 X FRONT PADS 1 X REAR PADS 2 X FRONT ROTORS 1 X REAR ROTOR)
Slingshot Base	15-17	FA669/4	FA4669/4	019	019	MD533BSDF	FA670	FA4670	019	MD533BSDR	MDK533STD	MDK533BSD
Slingshot S	18	FA669/4	FA4669/4	019	019	MD533BSDF	FA670	FA4670	019	MD533BSDR	MDK533STD	MDK533BSD
Slingshot SL	15-18	FA669/4	FA4669/4	019	019	MD533BSDF	FA670	FA4670	019	MD533BSDR	MDK533STD	MDK533BSD
Slingshot SL SE	15-18	FA669/4	FA4669/4	019	019	MD533BSDF	FA670	FA4670	019	MD533BSDR	MDK533STD	MDK533BSD
Slingshot SLR	17-18	FA669/4	FA4669/4				FA670	FA4670				

FOR FULL APPLICATION INFORMATION PLEASE SEE PAGES 20-21



EBC[®] **BRAKES**

For **Metric Asian** and **European Fitments** see separate catalog.

EBC Brakes World Headquarters: Upton Valley Way East, Pineham, Northampton, United Kingdom NN4 9EF
Tel: +44 (0) 1604 583344 E-mail: sales@ebcbrakesuk.com

US Head Office: EBC Brakes USA Inc. 6180 South Pearl Street, Las Vegas, Nevada 89120
Tel: +1 (702) 826-2400 E-mail: sales@ebcbrakesusa.com

www.ebcbrakes.com

The letters EBC form a registered trademark in the United States and most countries worldwide.
Harley® and Harley-Davidson® are registered marks of Harley-Davidson Inc. 3700 W. Juneau Avenue, Milwaukee, WI 53208 United States.