

PISTON KITS
CYLINDER KITS
2019/20



GOETZE[®]



DRIVING THE FUTURE THROUGH LEADING TECHNOLOGY





GOETZE®

CYLINDER & PISTON KITS PICTURES



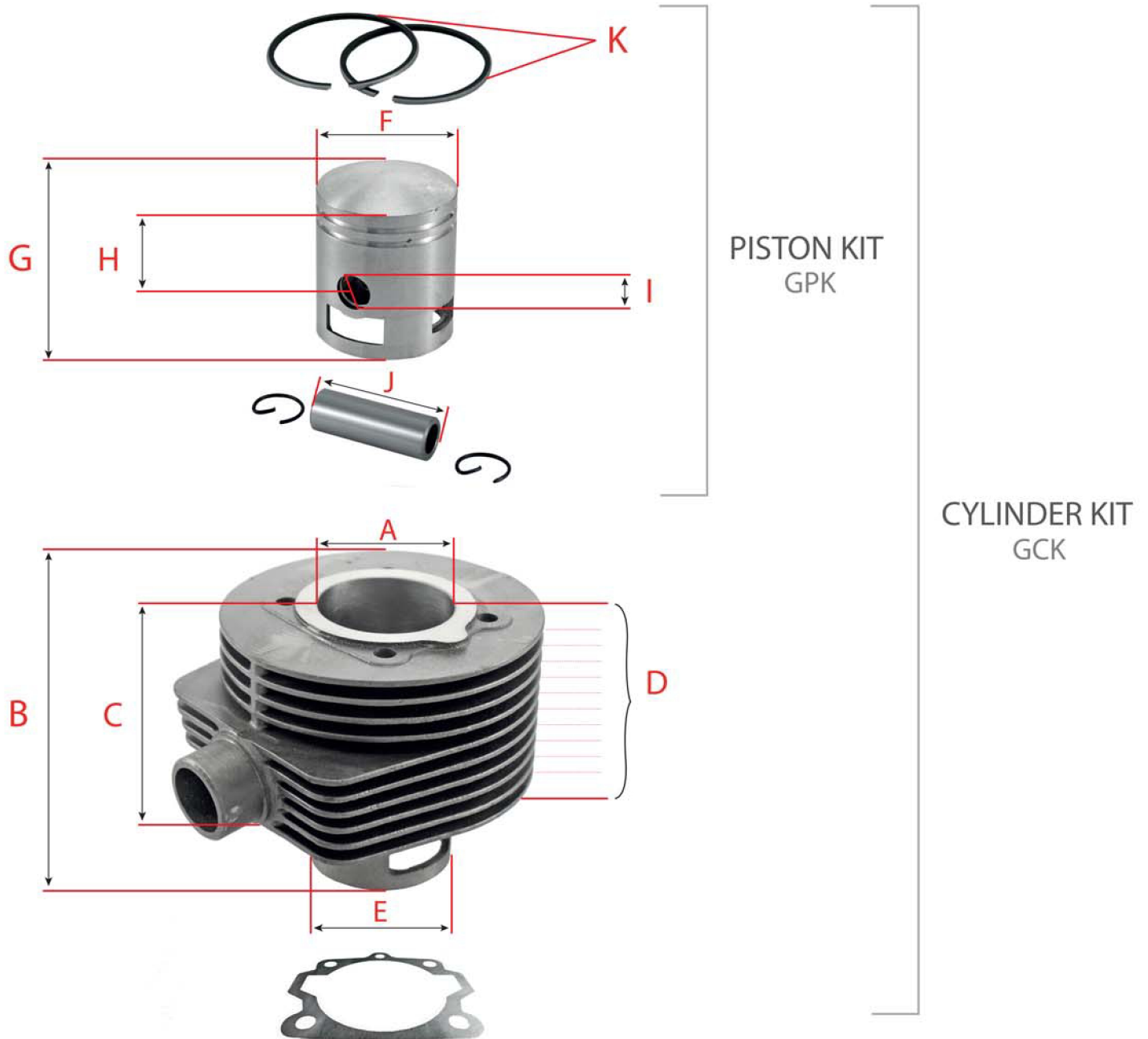
GOETZE®





GOETZE®

TECHNICAL DIMENSIONS



A Bore Diameter (mm)

B Total Height (mm)

C Compression Height (mm)

D Number of Fins

E Sleeve OD (mm)

F Piston Diameter (mm)

G Total Height (mm)

H Compression Height (mm)

I Pin Hole Diameter (mm)

J Pin Length (mm)

K Number of Rings

STD = Standard | O/S = Over Size

GCK001

Dimension

A	Bore diameter mm	57,80
B	Total Height mm	124,00
C	Compression height mm	84,50
D	Number of fins	10
E	Sleeve OD	67,00
F	Piston diameter STD mm	57,80
G	Total height mm	68,00
H	Compression height mm	35,00
I	Pin hole diameter mm	67,00
J	Pin length mm	48,50
K	Number of rings	2



GPK001-STD

Also available as O/S diameter 0.20&0.40mm

F	Piston diameter STD mm	57,80
G	Total height mm	68,00
H	Compression height mm	35,00
I	Pin hole diameter mm	67,00
J	Pin length mm	48,50
K	Number of rings	2



GCK002

Dimension

A	Bore diameter mm	57,00
B	Total Height mm	124,00
C	Compression height mm	84,80
D	Number of fins	10
E	Sleeve OD	67,00
F	Piston diameter STD mm	57,00
G	Total height mm	70,35
H	Compression height mm	35,50
I	Pin hole diameter mm	15,00
J	Pin length mm	48,30
K	Number of rings	2



GPK002-STD

Also available as O/S diameter 0.40&0.60mm

F	Piston diameter STD mm	57,00
G	Total height mm	70,35
H	Compression height mm	35,50
I	Pin hole diameter mm	15,00
J	Pin length mm	48,30
K	Number of rings	2



For A,B,C,D,E,F,G,H,I,J,K see first page of this section

30000

GCK003

Dimension

A	Bore diameter mm	57,80
B	Total Height mm	124,00
C	Compression height mm	84,80
D	Number of fins	10
E	Sleeve OD	66,70
F	Piston diameter STD mm	57,80
G	Total height mm	72,15
H	Compression height mm	34,85
I	Pin hole diameter mm	15,00
J	Pin length mm	48,50
K	Number of rings	2



GPK003-STD

Also available as O/S diameter 0.60&0.80mm

F	Piston diameter STD mm	57,80
G	Total height mm	72,15
H	Compression height mm	34,85
I	Pin hole diameter mm	15,00
J	Pin length mm	48,50
K	Number of rings	2



GCK004

Dimension

A	Bore diameter mm	52,50
B	Total Height mm	123,30
C	Compression height mm	83,80
D	Number of fins	10
E	Sleeve OD	66,70
F	Piston diameter STD mm	52,50
G	Total height mm	70,00
H	Compression height mm	35,60
I	Pin hole diameter mm	15,00
J	Pin length mm	44,50
K	Number of rings	2



GPK004-STD

Also available as O/S diameter 0.40&0.60mm

F	Piston diameter STD mm	52,50
G	Total height mm	70,00
H	Compression height mm	35,60
I	Pin hole diameter mm	15,00
J	Pin length mm	44,50
K	Number of rings	2



For A,B,C,D,E,F,G,H,I,J,K see first page of this section

GCK005

Dimension

A	Bore diameter mm	57,00
B	Total Height mm	94,00
C	Compression height mm	57,00
D	Number of fins	6
E	Sleeve OD	63,40
F	Piston diameter STD mm	57,00
G	Total height mm	38,50
H	Compression height mm	19,60
I	Pin hole diameter mm	15,00
J	Pin length mm	39,60
K	Number of rings	3



GCK006

Dimension

A	Bore diameter mm	52,40
B	Total Height mm	90,20
C	Compression height mm	69,00
D	Number of fins	
E	Sleeve OD	58,50
F	Piston diameter STD mm	52,40
G	Total height mm	37,10
H	Compression height mm	20,60
I	Pin hole diameter mm	14,00
J	Pin length mm	35,90
K	Number of rings	3



GPK006-STD

Also available as O/S diameter

F	Piston diameter STD mm	52,40
G	Total height mm	37,10
H	Compression height mm	20,60
I	Pin hole diameter mm	14,00
J	Pin length mm	35,90
K	Number of rings	3



GCK007

Dimension

A	Bore diameter mm	58,00
B	Total Height mm	90,20
C	Compression height mm	69,00
D	Number of fins	
E	Sleeve OD	63,00
F	Piston diameter STD mm	58,00
G	Total height mm	37,70
H	Compression height mm	21,25
I	Pin hole diameter mm	14,00
J	Pin length mm	39,40
K	Number of rings	3



For A,B,C,D,E,F,G,H,I,J,K see first page of this section

30002



Updated on November 2020

GPK007-STD

Also available as O/S diameter

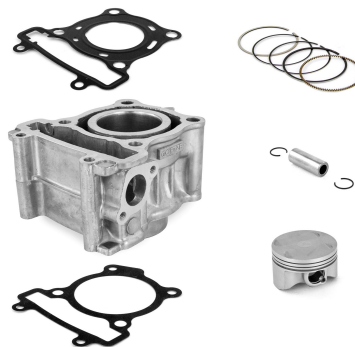
F	Piston diameter STD mm	58,00
G	Total height mm	37,70
H	Compression height mm	21,25
I	Pin hole diameter mm	14,00
J	Pin length mm	39,40
K	Number of rings	3



GCK008

Dimension

A	Bore diameter mm	52,00
B	Total Height mm	92,00
C	Compression height mm	69,50
D	Number of fins	
E	Sleeve OD	65,50
F	Piston diameter STD mm	52,00
G	Total height mm	31,75
H	Compression height mm	17,75
I	Pin hole diameter mm	14,00
J	Pin length mm	37,00
K	Number of rings	3



GPK008-STD

Also available as O/S diameter

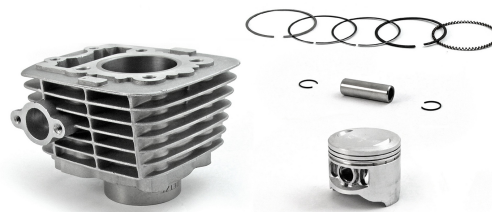
F	Piston diameter STD mm	52,00
G	Total height mm	31,75
H	Compression height mm	17,75
I	Pin hole diameter mm	14,00
J	Pin length mm	37,00
K	Number of rings	3



GCK100

Dimension

A	Bore diameter mm	53,00
B	Total Height mm	96,50
C	Compression height mm	77,20
D	Number of fins	7
E	Sleeve OD	58,55
F	Piston diameter STD mm	53,00
G	Total height mm	45,67
H	Compression height mm	20,67
I	Pin hole diameter mm	13,00
J	Pin length mm	40,00
K	Number of rings	3



For A,B,C,D,E,F,G,H,I,J,K see first page of this section

GPK100-STD

Also available as O/S diameter 0.25&0.50mm

F	Piston diameter STD mm	53,00
G	Total height mm	45,67
H	Compression height mm	20,67
I	Pin hole diameter mm	13,00
J	Pin length mm	40,00
K	Number of rings	3



GCK101

Dimension

A	Bore diameter mm	53,00
B	Total Height mm	98,20
C	Compression height mm	77,00
D	Number of fins	7
E	Sleeve OD	58,40
F	Piston diameter STD mm	53,00
G	Total height mm	45,50
H	Compression height mm	20,67
I	Pin hole diameter mm	13,00
J	Pin length mm	40,00
K	Number of rings	3



GPK101-STD

Also available as O/S diameter 0.25&0.50mm

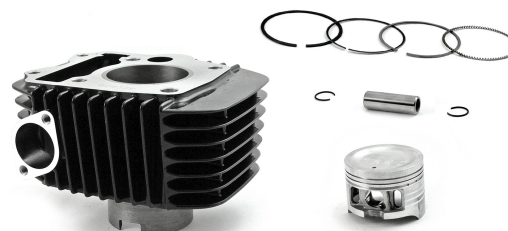
F	Piston diameter STD mm	53,00
G	Total height mm	45,50
H	Compression height mm	20,67
I	Pin hole diameter mm	13,00
J	Pin length mm	40,00
K	Number of rings	3



GCK102

Dimension

A	Bore diameter mm	52,40
B	Total Height mm	99,70
C	Compression height mm	71,50
D	Number of fins	7
E	Sleeve OD	58,50
F	Piston diameter STD mm	52,40
G	Total height mm	38,80
H	Compression height mm	19,80
I	Pin hole diameter mm	13,00
J	Pin length mm	38,60
K	Number of rings	3



For A,B,C,D,E,F,G,H,I,J,K see first page of this section

30004

 **GOETZE**[®]

Updated on November 2020

GPK102-STD

Also available as O/S diameter 0.25&0.50mm

F	Piston diameter STD mm	52,40
G	Total height mm	38,80
H	Compression height mm	19,80
I	Pin hole diameter mm	13,00
J	Pin length mm	38,60
K	Number of rings	3



GCK103

Dimension

A	Bore diameter mm	50,00
B	Total Height mm	95,00
C	Compression height mm	69,10
D	Number of fins	11
E	Sleeve OD	54,40
F	Piston diameter STD mm	50,00
G	Total height mm	39,20
H	Compression height mm	19,20
I	Pin hole diameter mm	13,00
J	Pin length mm	38,60
K	Number of rings	3



GPK103-STD

Also available as O/S diameter 0.25&0.50mm

F	Piston diameter STD mm	50,00
G	Total height mm	39,20
H	Compression height mm	19,20
I	Pin hole diameter mm	13,00
J	Pin length mm	38,60
K	Number of rings	3



GCK104

Dimension

A	Bore diameter mm	50,00
B	Total Height mm	95,00
C	Compression height mm	69,10
D	Number of fins	11
E	Sleeve OD	54,40
F	Piston diameter STD mm	50,00
G	Total height mm	44,20
H	Compression height mm	19,20
I	Pin hole diameter mm	13,00
J	Pin length mm	38,60
K	Number of rings	3



For A,B,C,D,E,F,G,H,I,J,K see first page of this section

GPK104-STD

Also available as O/S diameter 0.25&0.50mm

F	Piston diameter STD mm	50,00
G	Total height mm	44,20
H	Compression height mm	19,20
I	Pin hole diameter mm	13,00
J	Pin length mm	38,60
K	Number of rings	3



GCK105

Dimension

A	Bore diameter mm	52,40
B	Total Height mm	90,20
C	Compression height mm	62,30
D	Number of fins	6
E	Sleeve OD	71,00
F	Piston diameter STD mm	52,40
G	Total height mm	38,40
H	Compression height mm	20,40
I	Pin hole diameter mm	13,00
J	Pin length mm	38,40
K	Number of rings	3



GPK105-STD

Also available as O/S diameter 0.25&0.50mm

F	Piston diameter STD mm	52,40
G	Total height mm	38,40
H	Compression height mm	20,40
I	Pin hole diameter mm	13,00
J	Pin length mm	38,40
K	Number of rings	3



GCK106

Dimension

A	Bore diameter mm	57,30
B	Total Height mm	90,20
C	Compression height mm	62,30
D	Number of fins	5
E	Sleeve OD	71,00
F	Piston diameter STD mm	57,30
G	Total height mm	35,40
H	Compression height mm	20,40
I	Pin hole diameter mm	14,00
J	Pin length mm	38,40
K	Number of rings	3



For A,B,C,D,E,F,G,H,I,J,K see first page of this section

30006

GPK106-STD

Also available as O/S diameter 0.25&0.50mm

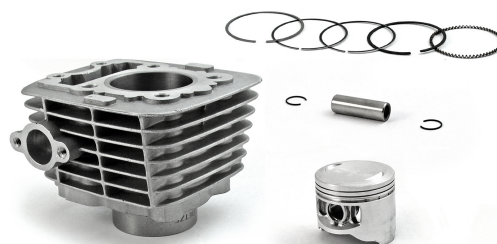
F	Piston diameter STD mm	57,30
G	Total height mm	35,40
H	Compression height mm	20,40
I	Pin hole diameter mm	14,00
J	Pin length mm	38,40
K	Number of rings	3



GCK107

Dimension

A	Bore diameter mm	57,00
B	Total Height mm	87,00
C	Compression height mm	65,00
D	Number of fins	6
E	Sleeve OD	62,60
F	Piston diameter STD mm	57,00
G	Total height mm	38,60
H	Compression height mm	19,70
I	Pin hole diameter mm	14,00
J	Pin length mm	38,00
K	Number of rings	3



GPK107-STD

Also available as O/S diameter 0.25&0.50mm

F	Piston diameter STD mm	57,00
G	Total height mm	38,60
H	Compression height mm	19,70
I	Pin hole diameter mm	14,00
J	Pin length mm	38,00
K	Number of rings	3



GCK108

Dimension

A	Bore diameter mm	50,00
B	Total Height mm	84,55
C	Compression height mm	63,80
D	Number of fins	6
E	Sleeve OD	55,60
F	Piston diameter STD mm	50,00
G	Total height mm	36,70
H	Compression height mm	18,70
I	Pin hole diameter mm	13,00
J	Pin length mm	38,40
K	Number of rings	3



For A,B,C,D,E,F,G,H,I,J,K see first page of this section

GPK108-STD

Also available as O/S diameter 0.25&0.50mm

F	Piston diameter STD mm	50,00
G	Total height mm	36,70
H	Compression height mm	18,70
I	Pin hole diameter mm	13,00
J	Pin length mm	38,40
K	Number of rings	3



GCK109

Dimension

A	Bore diameter mm	51,00
B	Total Height mm	92,50
C	Compression height mm	67,00
D	Number of fins	7
E	Sleeve OD	57,65
F	Piston diameter STD mm	51,00
G	Total height mm	42,30
H	Compression height mm	21,00
I	Pin hole diameter mm	14,00
J	Pin length mm	38,00
K	Number of rings	3



GPK109-STD

Also available as O/S diameter 0.25&0.50mm

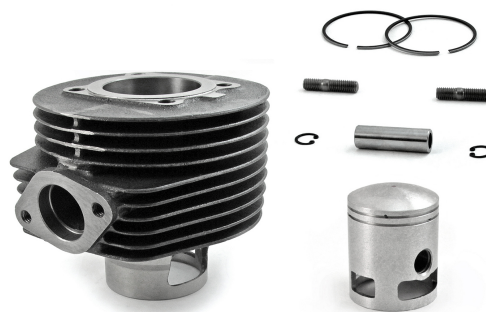
F	Piston diameter STD mm	51,00
G	Total height mm	42,30
H	Compression height mm	21,00
I	Pin hole diameter mm	14,00
J	Pin length mm	38,00
K	Number of rings	3



GCK110

Dimension

A	Bore diameter mm	57,00
B	Total Height mm	124,00
C	Compression height mm	84,00
D	Number of fins	10
E	Sleeve OD	67,00
F	Piston diameter STD mm	57,00
G	Total height mm	71,70
H	Compression height mm	35,00
I	Pin hole diameter mm	15,00
J	Pin length mm	48,50
K	Number of rings	2



For A,B,C,D,E,F,G,H,I,J,K see first page of this section

30008

GPK110-STD

Also available as O/S diameter 0.25&0.50mm

F	Piston diameter STD mm	57,00
G	Total height mm	71,70
H	Compression height mm	35,00
I	Pin hole diameter mm	15,00
J	Pin length mm	48,50
K	Number of rings	2



GCK111

Dimension

A	Bore diameter mm	57,00
B	Total Height mm	123,50
C	Compression height mm	84,00
D	Number of fins	10
E	Sleeve OD	67,00
F	Piston diameter STD mm	57,00
G	Total height mm	45,00
H	Compression height mm	21,50
I	Pin hole diameter mm	17,00
J	Pin length mm	43,00
K	Number of rings	2



GPK111-STD

Also available as O/S diameter 0.25&0.50mm

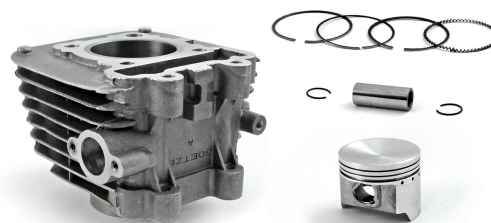
F	Piston diameter STD mm	57,00
G	Total height mm	45,00
H	Compression height mm	21,50
I	Pin hole diameter mm	17,00
J	Pin length mm	43,00
K	Number of rings	2



GCK112

Dimension

A	Bore diameter mm	57,00
B	Total Height mm	110,50
C	Compression height mm	89,00
D	Number of fins	8
E	Sleeve OD	67,00
F	Piston diameter STD mm	57,00
G	Total height mm	45,00
H	Compression height mm	21,50
I	Pin hole diameter mm	17,00
J	Pin length mm	43,00
K	Number of rings	3



For A,B,C,D,E,F,G,H,I,J,K see first page of this section

GPK112-STD

Also available as O/S diameter 0.25&0.50mm

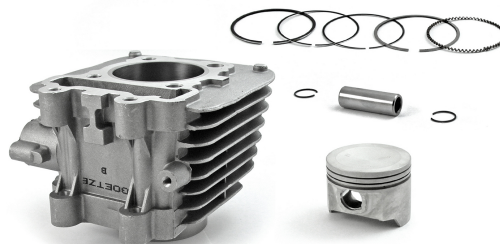
F	Piston diameter STD mm	57,00
G	Total height mm	45,00
H	Compression height mm	21,50
I	Pin hole diameter mm	17,00
J	Pin length mm	43,00
K	Number of rings	3



GCK113

Dimension

A	Bore diameter mm	61,00
B	Total Height mm	110,50
C	Compression height mm	89,00
D	Number of fins	8
E	Sleeve OD	67,00
F	Piston diameter STD mm	61,00
G	Total height mm	45,45
H	Compression height mm	21,95
I	Pin hole diameter mm	17,00
J	Pin length mm	47,00
K	Number of rings	3



GPK113-STD

Also available as O/S diameter 0.25&0.50mm

F	Piston diameter STD mm	61,00
G	Total height mm	45,45
H	Compression height mm	21,95
I	Pin hole diameter mm	17,00
J	Pin length mm	47,00
K	Number of rings	3



GCK114

Dimension

A	Bore diameter mm	86,00
B	Total Height mm	127,60
C	Compression height mm	77,00
D	Number of fins	12
E	Sleeve OD	91,50
F	Piston diameter STD mm	86,00
G	Total height mm	72,00
H	Compression height mm	44,00
I	Pin hole diameter mm	20,00
J	Pin length mm	67,70
K	Number of rings	3



For A,B,C,D,E,F,G,H,I,J,K see first page of this section

30010



Updated on November 2020

GPK114-STD

Also available as O/S diameter 0.25&0.50mm

F	Piston diameter STD mm	86,00
G	Total height mm	72,00
H	Compression height mm	44,00
I	Pin hole diameter mm	20,00
J	Pin length mm	67,70
K	Number of rings	3



GCK115

Dimension

A	Bore diameter mm	86,00
B	Total Height mm	135,00
C	Compression height mm	86,40
D	Number of fins	14
E	Sleeve OD	91,50
F	Piston diameter STD mm	86,00
G	Total height mm	72,00
H	Compression height mm	44,00
I	Pin hole diameter mm	20,00
J	Pin length mm	67,70
K	Number of rings	3



GPK115-STD

Also available as O/S diameter 0.25&0.50mm

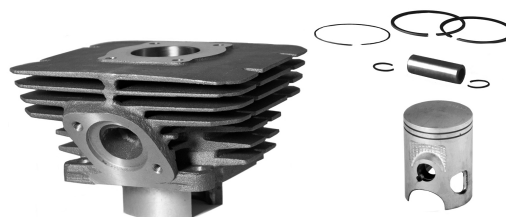
F	Piston diameter STD mm	86,00
G	Total height mm	72,00
H	Compression height mm	44,00
I	Pin hole diameter mm	20,00
J	Pin length mm	67,70
K	Number of rings	3



GCK116

Dimension

A	Bore diameter mm	50,00
B	Total Height mm	116,10
C	Compression height mm	86,50
D	Number of fins	7
E	Sleeve OD	74,00
F	Piston diameter STD mm	50,00
G	Total height mm	65,00
H	Compression height mm	32,00
I	Pin hole diameter mm	14,00
J	Pin length mm	41,00
K	Number of rings	2



For A,B,C,D,E,F,G,H,I,J,K see first page of this section

GPK116-STD

Also available as O/S diameter 0.25&0.50mm

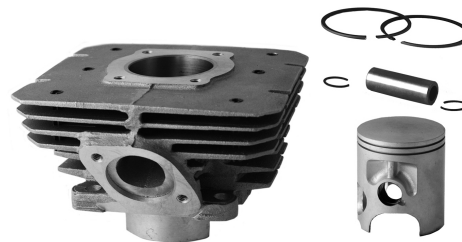
F	Piston diameter STD mm	50,00
G	Total height mm	65,00
H	Compression height mm	32,00
I	Pin hole diameter mm	14,00
J	Pin length mm	41,00
K	Number of rings	2



GCK117

Dimension

A	Bore diameter mm	58,00
B	Total Height mm	116,60
C	Compression height mm	87,00
D	Number of fins	7
E	Sleeve OD	74,00
F	Piston diameter STD mm	58,00
G	Total height mm	68,55
H	Compression height mm	38,55
I	Pin hole diameter mm	16,00
J	Pin length mm	47,00
K	Number of rings	2



GPK117-STD

Also available as O/S diameter 0.25&0.50mm

F	Piston diameter STD mm	58,00
G	Total height mm	68,55
H	Compression height mm	38,55
I	Pin hole diameter mm	16,00
J	Pin length mm	47,00
K	Number of rings	2



GCK118

Dimension

A	Bore diameter mm	47,00
B	Total Height mm	88,75
C	Compression height mm	61,25
D	Number of fins	5
E	Sleeve OD	52,00
F	Piston diameter STD mm	47,00
G	Total height mm	34,50
H	Compression height mm	19,50
I	Pin hole diameter mm	12,00
J	Pin length mm	38,00
K	Number of rings	3



For A,B,C,D,E,F,G,H,I,J,K see first page of this section

30012

GPK118-STD

Also available as O/S diameter 0.25&0.50mm

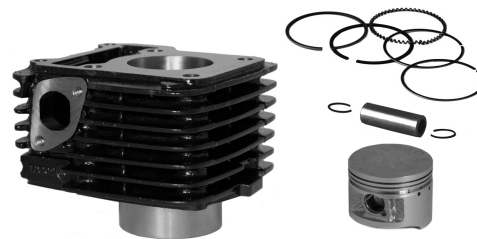
F	Piston diameter STD mm	47,00
G	Total height mm	34,50
H	Compression height mm	19,50
I	Pin hole diameter mm	12,00
J	Pin length mm	38,00
K	Number of rings	3



GCK119

Dimension

A	Bore diameter mm	49,00
B	Total Height mm	95,70
C	Compression height mm	72,40
D	Number of fins	7
E	Sleeve OD	59,50
F	Piston diameter STD mm	49,00
G	Total height mm	35,80
H	Compression height mm	17,80
I	Pin hole diameter mm	13,00
J	Pin length mm	38,30
K	Number of rings	3



GPK119-STD

Also available as O/S diameter 0.25&0.50mm

F	Piston diameter STD mm	49,00
G	Total height mm	35,80
H	Compression height mm	17,80
I	Pin hole diameter mm	13,00
J	Pin length mm	38,30
K	Number of rings	3



For A,B,C,D,E,F,G,H,I,J,K see first page of this section





GOETZE®

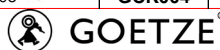
CYLINDER & PISTON KITS APPLICATIONS



GOETZE®

	CC	FROM > TO	CYLINDER KIT	CYLINDER DIAMETER (mm)	PISTON KIT STD	OTHER PISTON SIZE AVAILABLE (mm)	RING KIT	GASKET KIT
ATUL								
SHAKTI	395	2006 →	GCK114	86	GPK114-STD	0.25 - 0.50		
GEM	436	2009 →	GCK115	86	GPK115-STD	0.25 - 0.50		
SHAKTI	436	2008 →	GCK115	86	GPK115-STD	0.25 - 0.50		
BAJAJ								
CT100	100	2004 → 2006	GCK101	53	GPK101-STD	0.25 - 0.50		
DISCOVER	100	→	GCK118	47	GPK118-STD	0.25 - 0.50		
PLATINA	100	2006 →	GCK101	53	GPK101-STD	0.25 - 0.50		
CALIBER	111	1998 → 2001	GCK100	53	GPK100-STD	0.25 - 0.50		
3W	145	1996 → 2000	GCK110	57	GPK110-STD	0.25 - 0.50		
BRAVO-5 PORT	145	1991 → 2003	GCK110	57	GPK110-STD	0.25 - 0.50		
CLASSIC 3-WHEELER-3 PORT	145	1994 → 2000	GCK111	57	GPK111-STD	0.25 - 0.50		
STRIDE	145	1993 → 1997	GCK110	57	GPK110-STD	0.25 - 0.50		
SUPER	145	1991 → 1996	GCK110	57	GPK110-STD	0.25 - 0.50		
3-WHEELER CNG 4-Stroke	199	1999 →	GCK112	57	GPK112-STD	0.25 - 0.50		
GC-1000	416	2003 → 2007	GCK113	61	GPK113-STD	0.25 - 0.50		
HERO HONDA								
PASSION	97	2001 →	GCK104	50	GPK104-STD	0.25 - 0.50		
PASSION PRO	97	2008 →			GPK104-STD	0.25 - 0.50		
SPLENDOR	97	1994 →	GCK104	50	GPK104-STD	0.25 - 0.50		
CD DAWN	100	2003 →	GCK103	50	GPK103-STD	0.25 - 0.50		
CD DELUXE	100	2005 →	GCK103	50	GPK103-STD	0.25 - 0.50		
CD-100	100	1991 → 2003	GCK103	50	GPK103-STD	0.25 - 0.50		
GLAMOUR	125	2005 →	GCK102	52.4	GPK102-STD	0.25 - 0.50		
SUPER SPLENDOR	125	2005 →	GCK102	52.4	GPK102-STD	0.25 - 0.50		
HONDA								
AVIATOR	100	2009 →	GCK108	50	GPK108-STD	0.25 - 0.50		
ACTIVA	125	2001 → 2009	GCK108	50	GPK108-STD	0.25 - 0.50		
AROBASE 125	125	2000 → 2006	GCK006	52.40	GPK006-STD		GRK006-STD	GGK006
CB 125	125	2015 → 2019	GCK105	52.4	GPK105-STD	0.25 - 0.50		
CB SHINE	125	2010 →	GCK105	52.4	GPK105-STD	0.25 - 0.50		
DYLAN 125	125	2002 → 2006	GCK006	52.40	GPK006-STD		GRK006-STD	GGK006
PANTHEON 125	125	2003 → 2006	GCK006	52.40	GPK006-STD		GRK006-STD	GGK006
PES 125 INJECTION	125	2006 → 2010	GCK006	52.40	GPK006-STD		GRK006-STD	GGK006
PS 125 INJECTION	125	2010 → 2012	GCK006	52.40	GPK006-STD		GRK006-STD	GGK006
S-WING 125	125	2007 → 2012	GCK006	52.40	GPK006-STD		GRK006-STD	GGK006
S-WING 125 ABS	125	2007 → 2012	GCK006	52.40	GPK006-STD		GRK006-STD	GGK006
SH 125	125	2001 → 2012	GCK006	52.40	GPK006-STD		GRK006-STD	GGK006
STUNNER	125	2008 →	GCK105	52.4	GPK105-STD	0.25 - 0.50		
AROBASE 150	150	2000 → 2006	GCK007	58	GPK007-STD		GRK007-STD	GGK007
CB UNICORN	150	2004 →	GCK106	57.3	GPK106-STD	0.25 - 0.50		
DYLAN 150	150	2002 → 2009	GCK007	58	GPK007-STD		GRK007-STD	GGK007
ETERNO	150	2003 → 2009	GCK107	57	GPK107-STD	0.25 - 0.50		
PANTHEON 150 FES	150	2003 → 2005	GCK007	58	GPK007-STD		GRK007-STD	GGK007
PES 150 INJECTION	150	2006 → 2010	GCK007	58	GPK007-STD		GRK007-STD	GGK007
PES 150 R	150	2008 → 2010	GCK007	58	GPK007-STD		GRK007-STD	GGK007
S-WING 150	150	2007 → 2009	GCK007	58	GPK007-STD		GRK007-STD	GGK007
S-WING 150 ABS	150	2007 → 2009	GCK007	58	GPK007-STD		GRK007-STD	GGK007
SH 150	150	2001 → 2012	GCK007	58	GPK007-STD		GRK007-STD	GGK007
LML								
Star 4T	150	2009 →	GCK005	57				
Vespa Select / Star / Supremo	150	→	GCK001	57.8	GPK001-STD	0.20 - 0.40		GGK001
MAHINDRA								
ALPHA	395	2006 →	GCK114	86	GPK114-STD	0.25 - 0.50		
PIAGGIO								
Vespa 125 GT/ 125 Sprint	125	1961 → 1973	GCK004	52.5	GPK004-STD	0.40 - 0.60		GGK001
Vespa 125 Super	125	1965 → 1969	GCK004	52.5	GPK004-STD	0.40 - 0.60		GGK001
Vespa 125 GTR	125	1968 → 1978	GCK004	52.5	GPK004-STD	0.40 - 0.60		GGK001
Vespa 125 TS	125	1975 → 1978	GCK004	52.5	GPK004-STD	0.40 - 0.60		GGK001
Vespa P125X	125	1977 → 1982	GCK004	52.5	GPK004-STD	0.40 - 0.60		GGK001
Vespa PX125 E	125	1981 → 1983	GCK004	52.5	GPK004-STD	0.40 - 0.60		GGK001
Vespa PX 125 E Arcobaleno	125	1983 → 1997	GCK004	52.5	GPK004-STD	0.40 - 0.60		GGK001
Vespa PX 125 E EFL	125	1983 → 1997	GCK004	52.5	GPK004-STD	0.40 - 0.60		GGK001
Vespa PX 125 E Elestar	125	1983 → 1997	GCK004	52.5	GPK004-STD	0.40 - 0.60		GGK001
Vespa PX 125 E Lusso	125	1983 → 1997	GCK004	52.5	GPK004-STD	0.40 - 0.60		GGK001
Vespa PX125 E / Millenium	125	1998 →	GCK004	52.5	GPK004-STD	0.40 - 0.60		GGK001

31000



Updated on November 2020

	CC	FROM >	TO	CYLINDER KIT	CYLINDER DIAMETER (mm)	PISTON KIT STD	OTHER PISTON SIZE AVAILABLE (mm)	RING KIT	GASKET KIT
...PIAGGIO									
Vespa PX 2011	125	2011	→	GCK004	52.5	GPK004-STD	0.40 - 0.60		GGK001
Vespa 150 Sprint	150		→	GCK002	57.0	GPK002-STD	0.40 - 0.60		GGK002
Vespa 150 Sprint Veloce	150		→	GCK002	57.0	GPK002-STD	0.40 - 0.60		GGK002
Vespa 150 Super	150	1965	→ 1979	GCK003	57.8	GPK003-STD	0.60 - 0.80		GGK001
Vespa P150 S	150	1978	→ 1990	GCK003	57.8	GPK003-STD	0.60 - 0.80		GGK001
Vespa P150X / PX150E	150	1978	→ 1985	GCK003	57.8	GPK003-STD	0.60 - 0.80		GGK001
Vespa PX 150 E Arcobaleno	150	1983	→ 1997	GCK003	57.8	GPK003-STD	0.60 - 0.80		GGK001
Vespa PX 150 E EFL	150	1983	→ 1997	GCK003	57.8	GPK003-STD	0.60 - 0.80		GGK001
Vespa PX 150 E Elestar	150	1983	→ 1997	GCK003	57.8	GPK003-STD	0.60 - 0.80		GGK001
Vespa PX 150 E Lusso	150	1983	→ 1997	GCK003	57.8	GPK003-STD	0.60 - 0.80		GGK001
Vespa Cosa 1	150	1987	→ 1990	GCK003	57.8	GPK003-STD	0.60 - 0.80		GGK001
Vespa Cosa 2	150	1991	→	GCK003	57.8	GPK003-STD	0.60 - 0.80		GGK001
Vespa PX150 E / Millenium	150	1998	→	GCK003	57.8	GPK003-STD	0.60 - 0.80		GGK001
Vespa PX 2011	150	2011	→	GCK003	57.8	GPK003-STD	0.60 - 0.80		GGK001
APE (BSII engine)	395	2006	→	GCK114	86	GPK114-STD	0.25 - 0.50		
APE (BSIII engine)	436	2008	→	GCK115	86	GPK115-STD	0.25 - 0.50		
TVS									
VICTOR	110	2001	→ 2007	GCK109	51	GPK109-STD	0.25 - 0.50		
YAMAHA									
RX	100	1985	→ 1996	GCK116	50	GPK116-STD	0.25 - 0.50		
CRUX	106	2004	→	GCK119	49	GPK119-STD	0.25 - 0.50		
LIBERO	106	2006	→	GCK119	49	GPK119-STD	0.25 - 0.50		
X-CITY 125	125	2008	→ 2011	GCK008	52	GPK008-STD		GRK008-STD	GGK008
YP 125 R X-MAX	125	2006	→ 2016	GCK008	52	GPK008-STD		GRK008-STD	GGK008
YP 125 R X-MAX ABS	125	2011	→ 2018	GCK008	52	GPK008-STD		GRK008-STD	GGK008
YZF-R 125	125	2012	→ 2016	GCK008	52	GPK008-STD		GRK008-STD	GGK008
YZF-R 125A	125	2015	→ 2018	GCK008	52	GPK008-STD		GRK008-STD	GGK008
RXG	135		→	GCK117	58	GPK117-STD	0.25 - 0.50		



ECAT



FEDERAL-MOGUL ITALY Srl
Racing & Motorcycle Division

Corso Inghilterra, 2
12084 Mondovi (CN)
Tel. +39.0174.56.05.11
Fax +39.0174.55.22.48

ecat.championpowersports.eu